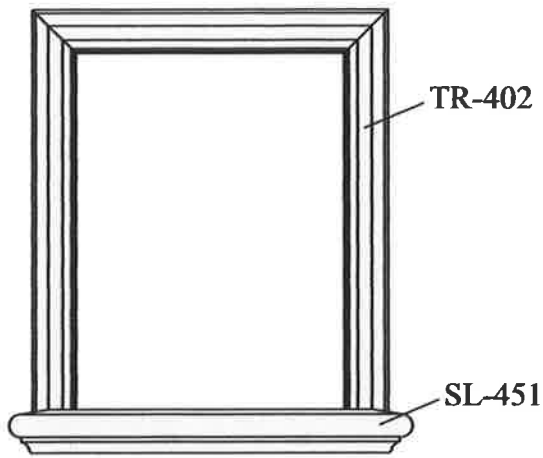
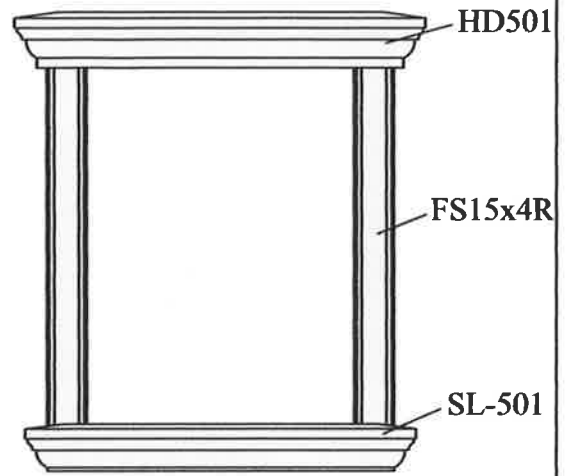


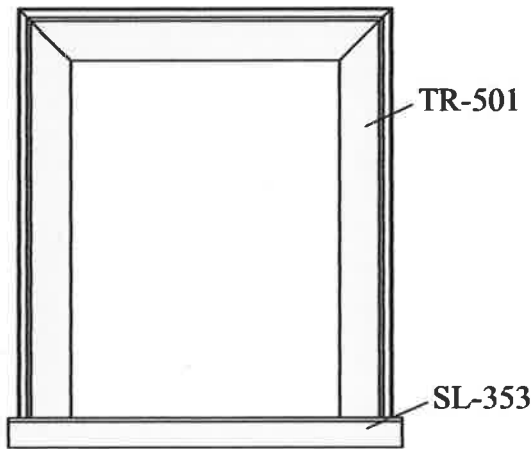
# Window Combinations



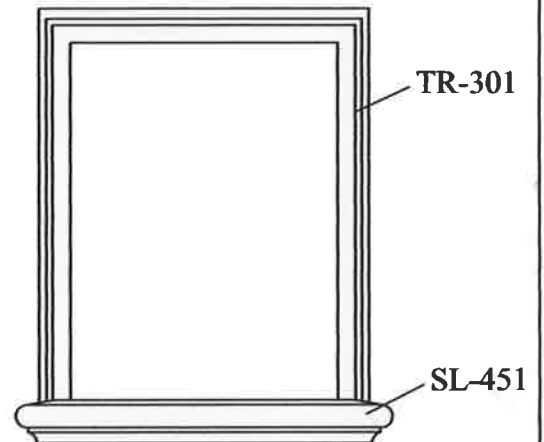
#1003



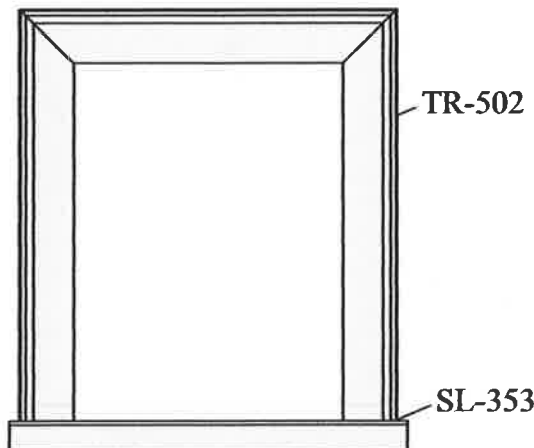
#1005



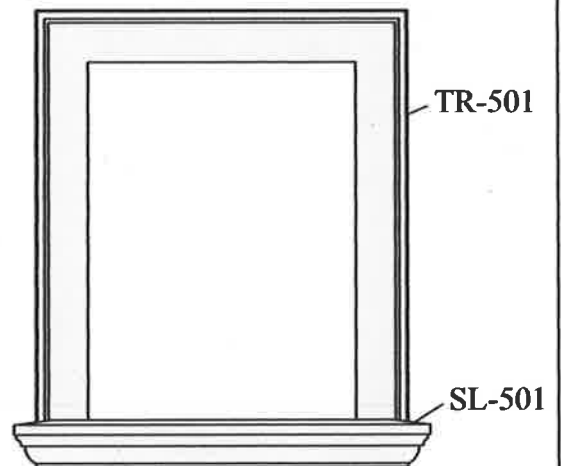
#1007



#1009

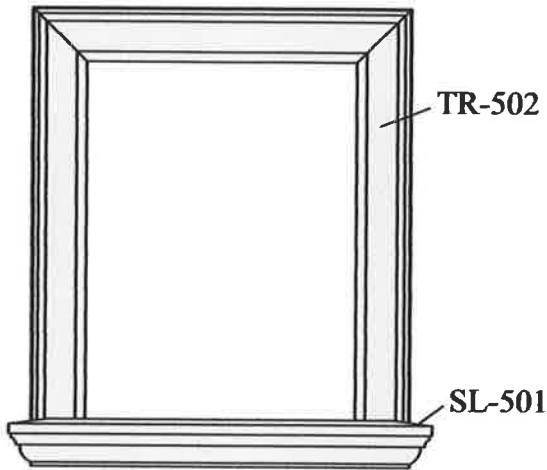


#1010

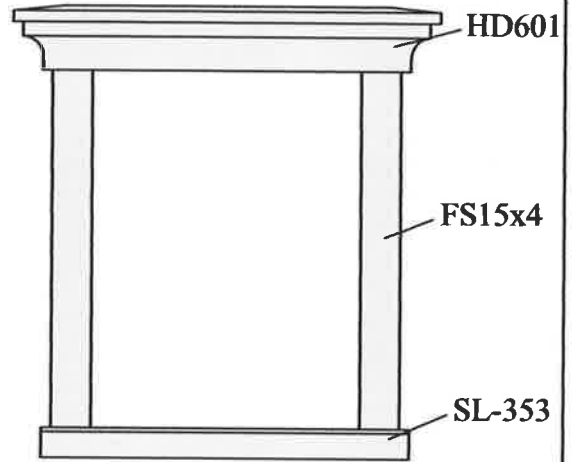


#1012

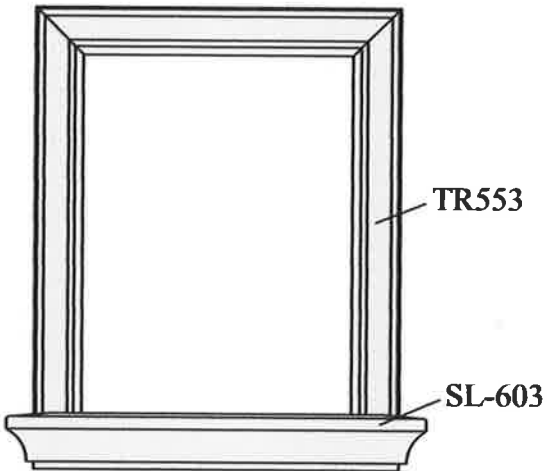
# Window Combinations



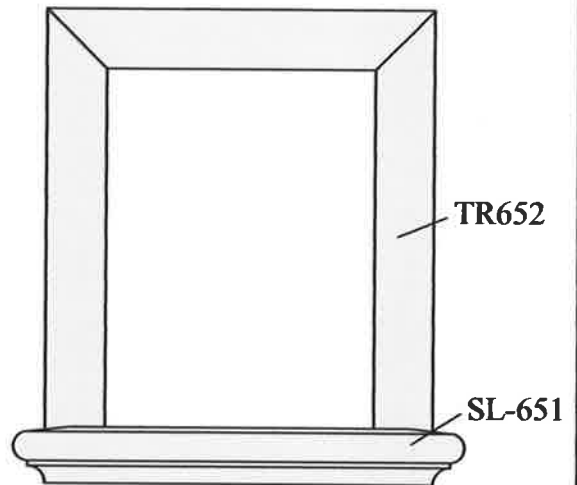
#1013



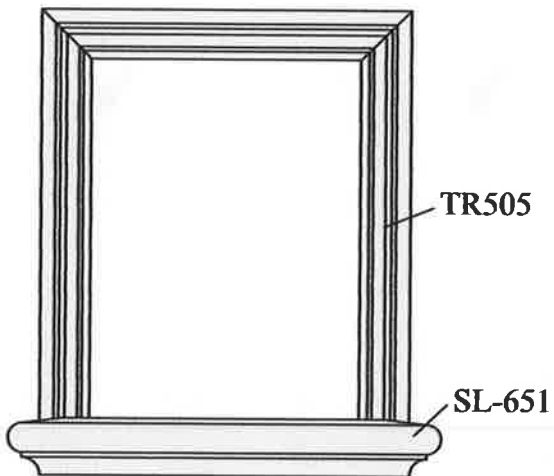
#1014



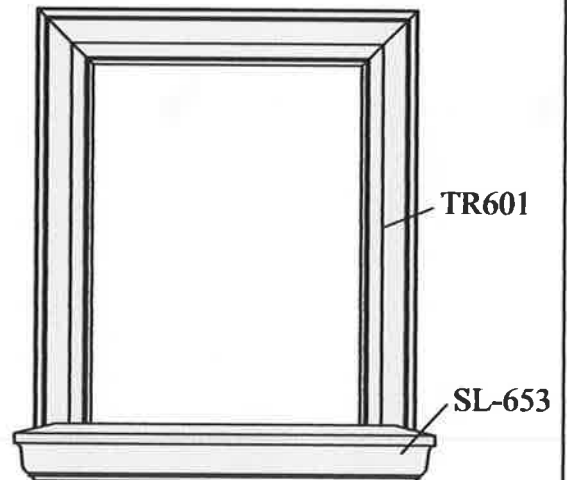
#1020



#1021

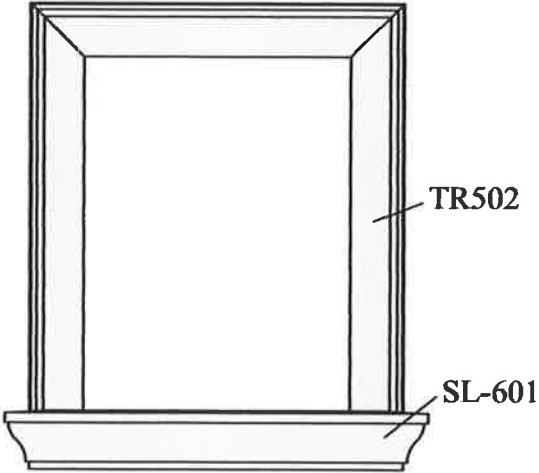


#1022

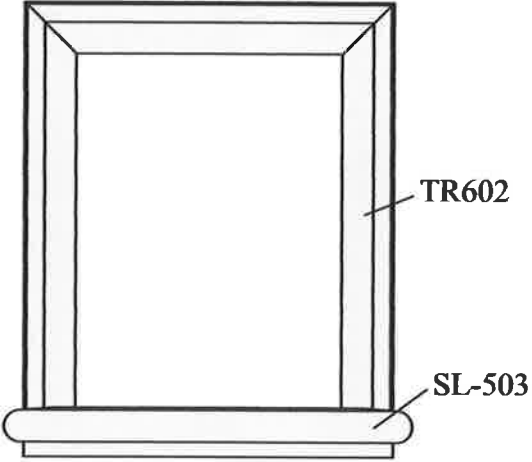


#1023

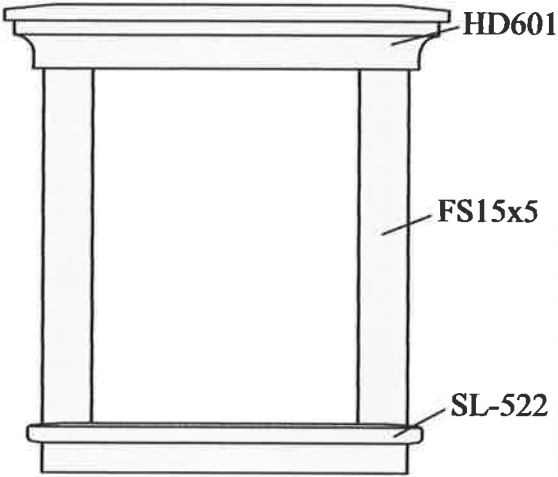
# Window Combinations



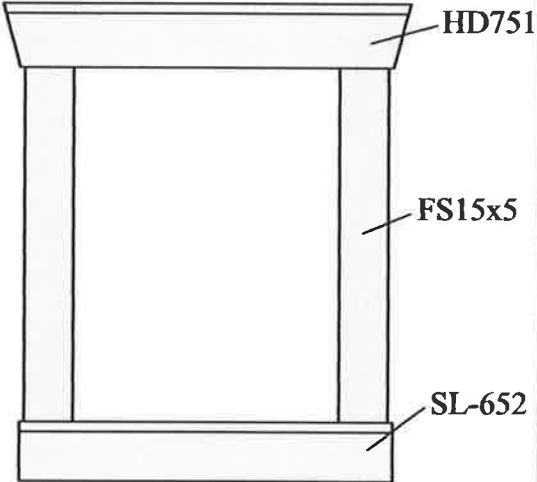
#1024



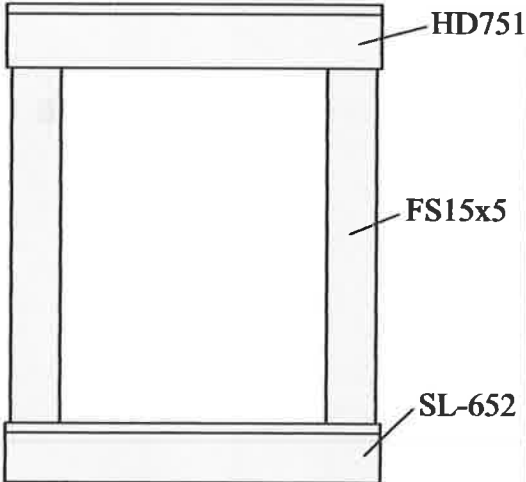
#1025



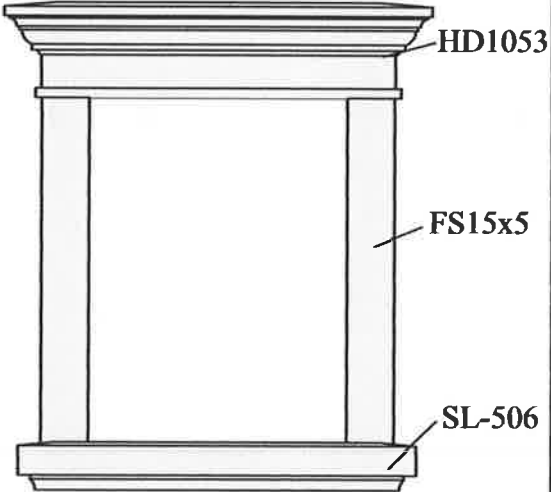
#1026



#1028

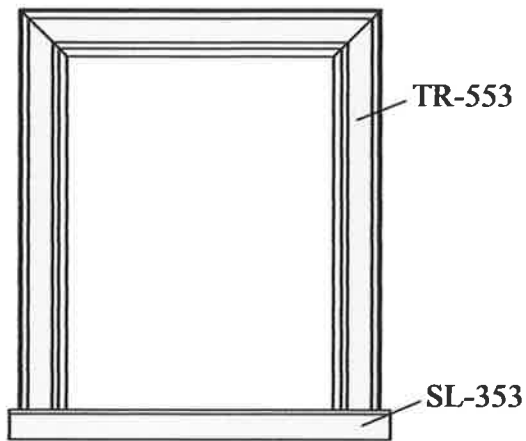


#1029

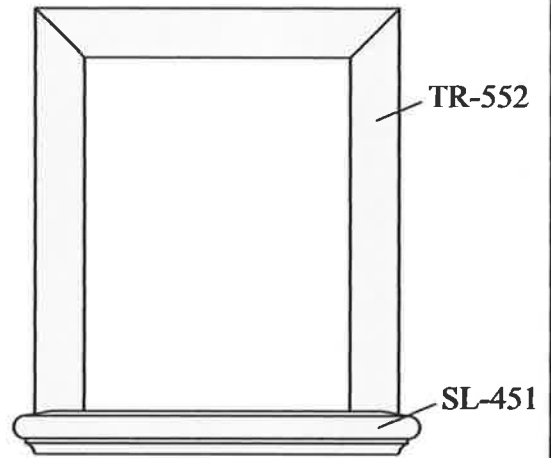


#1030

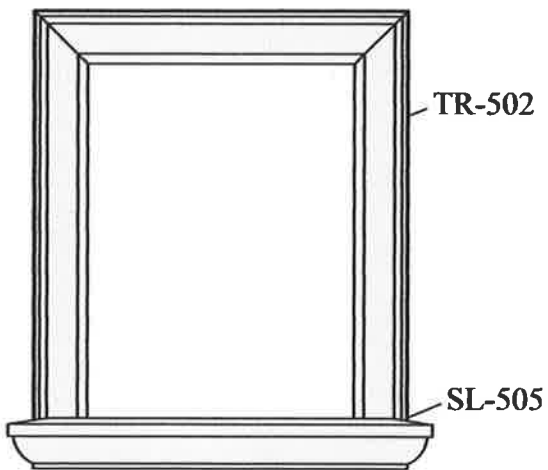
# Window Combinations



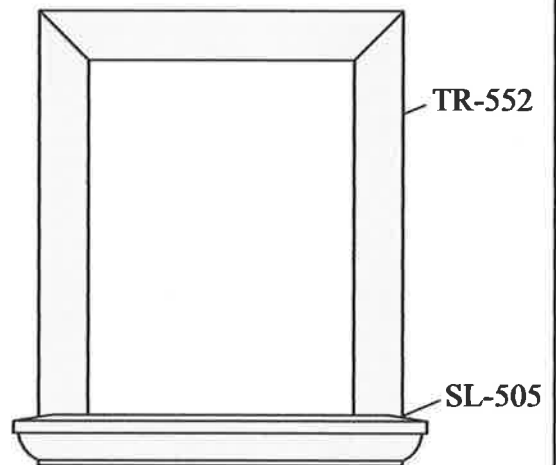
#1031



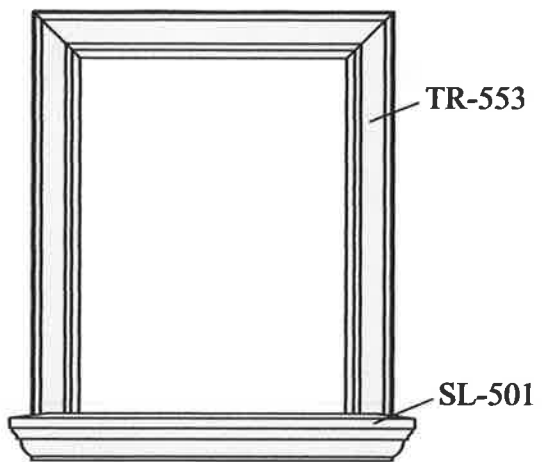
#1032



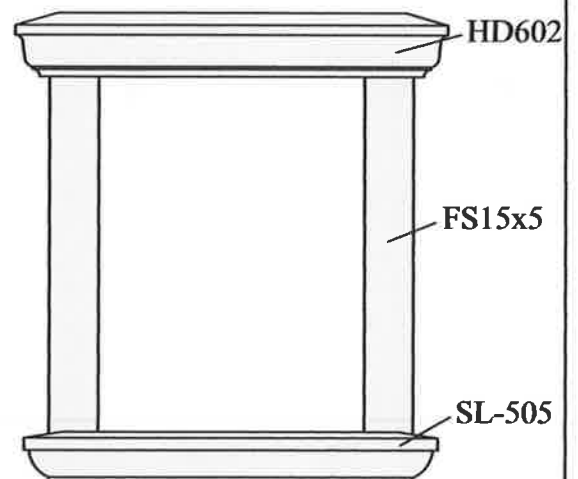
#1033



#1034

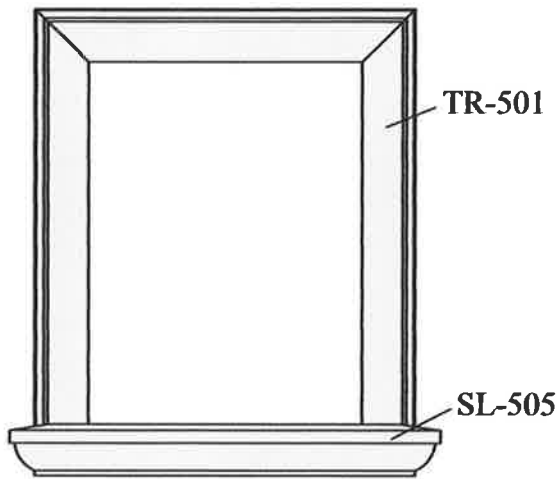


#1035

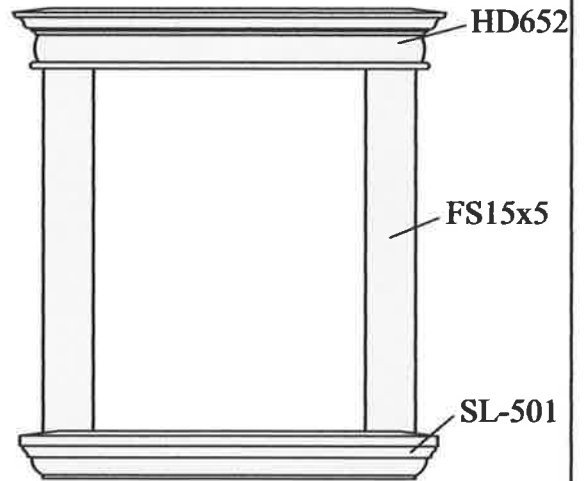


#1036

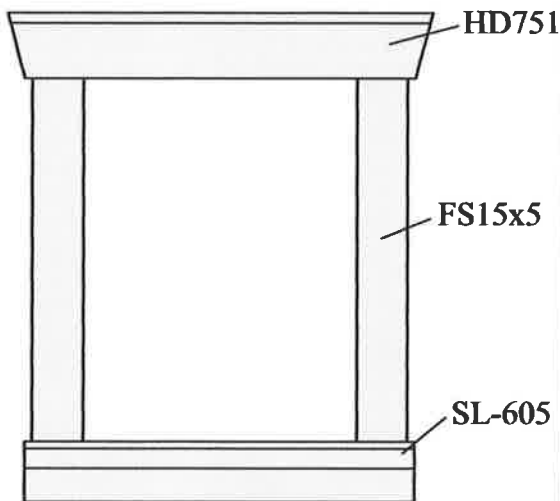
# Window Combinations



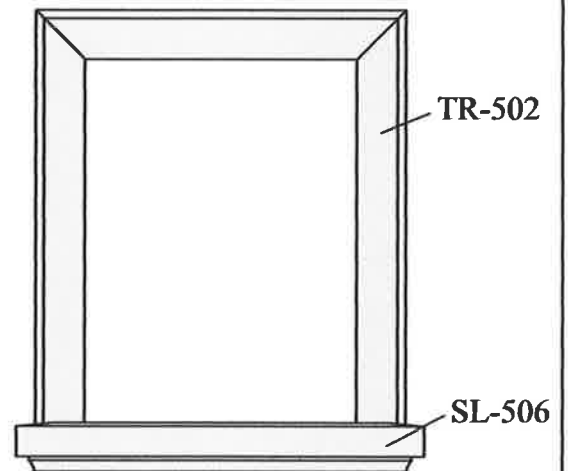
#1037



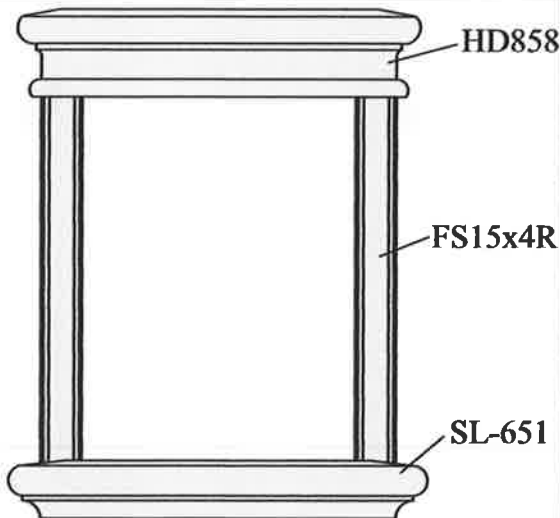
#1038



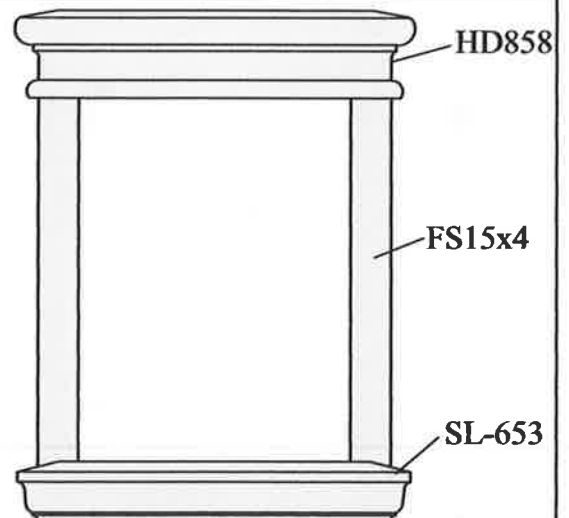
#1039



#1040

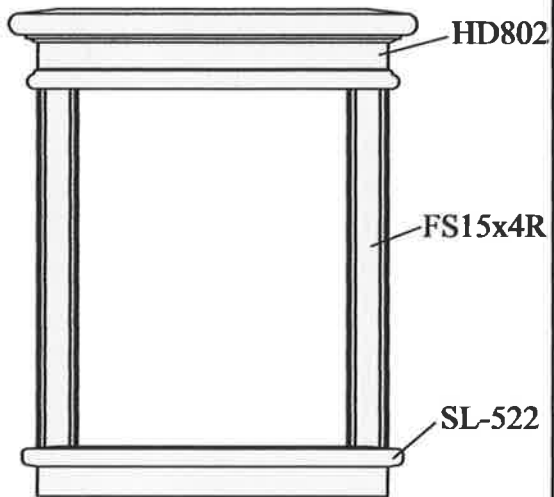


#1041

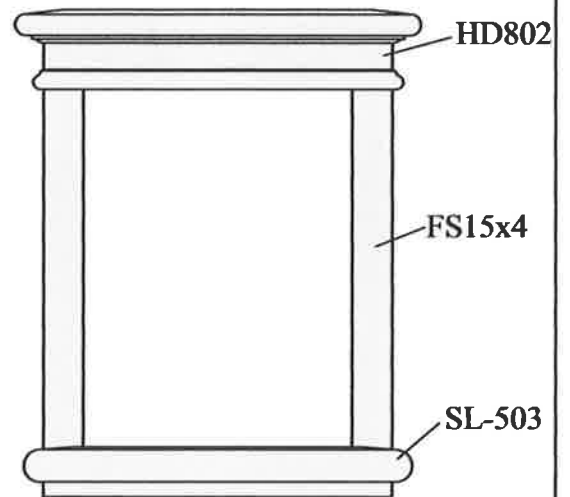


#1042

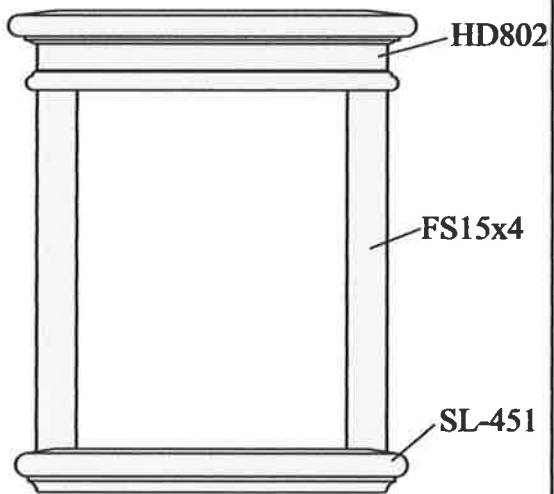
# Window Combinations



#1043

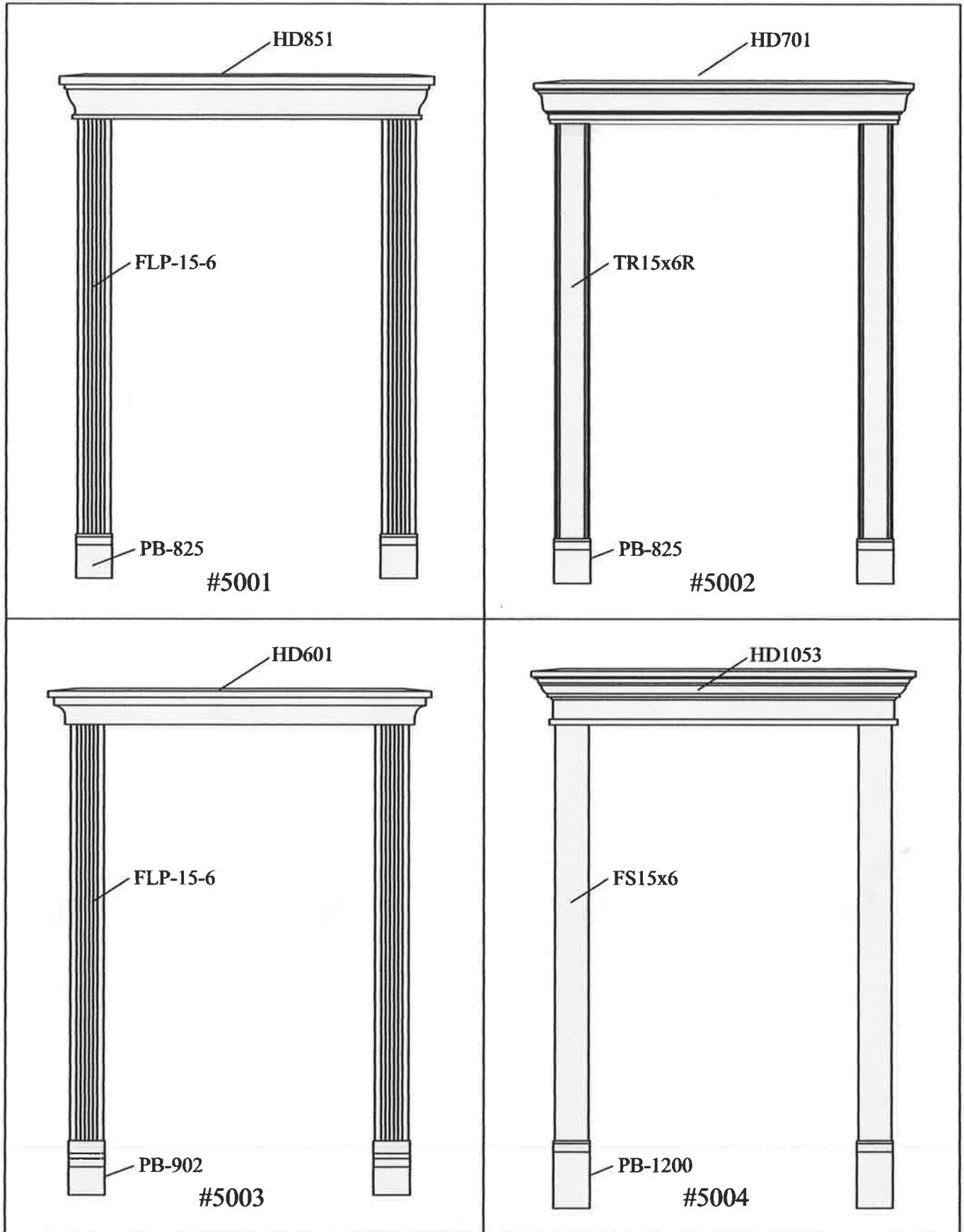


#1044

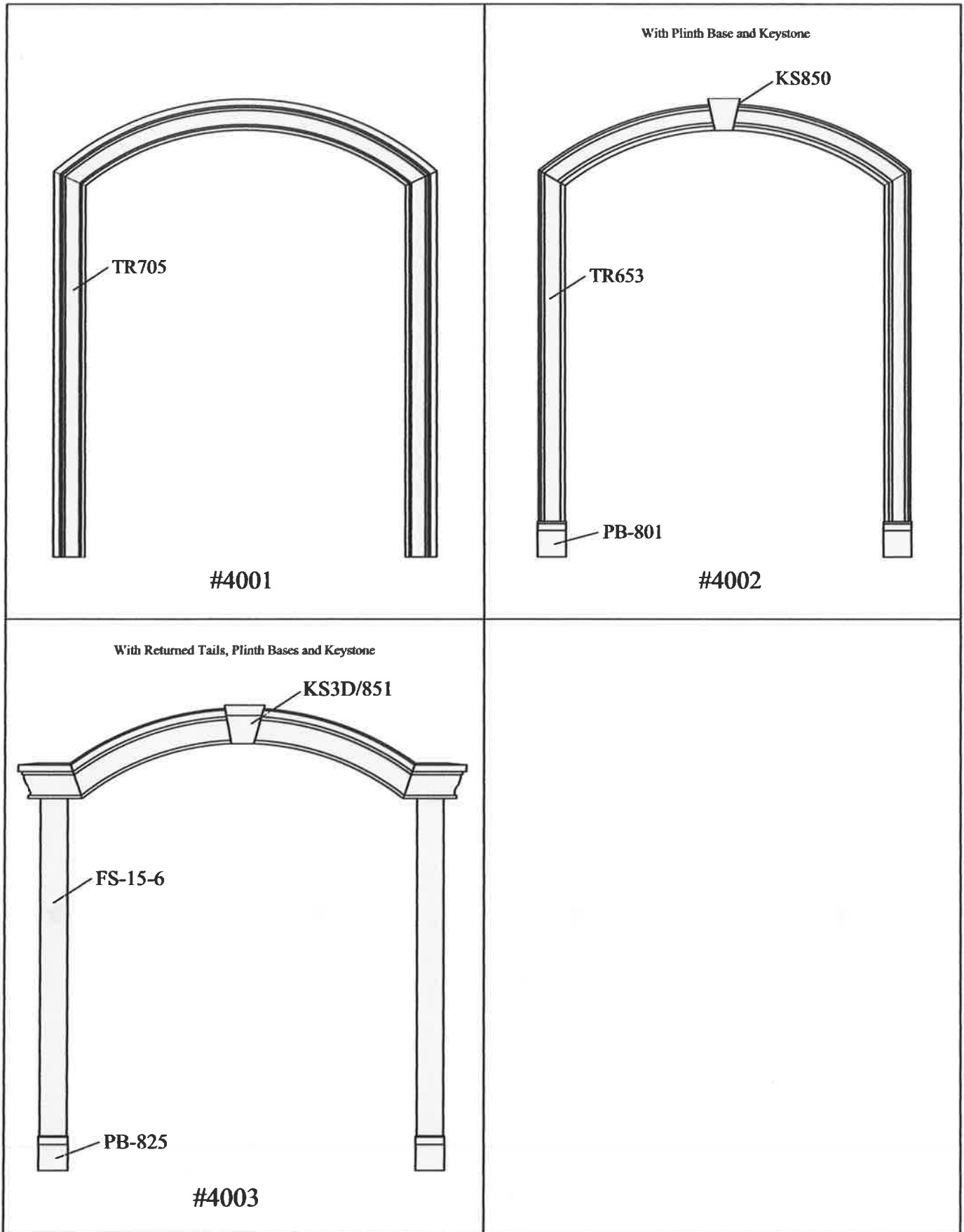


#1045

# Door Treatments



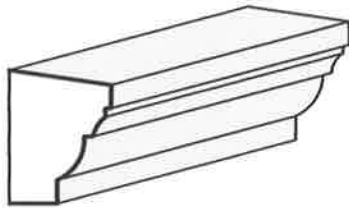
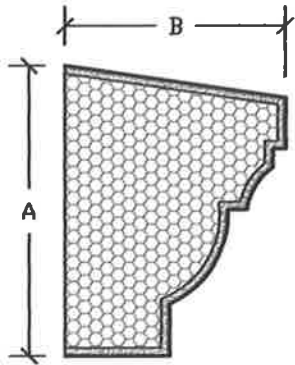
# Arch Treatments





# Headers

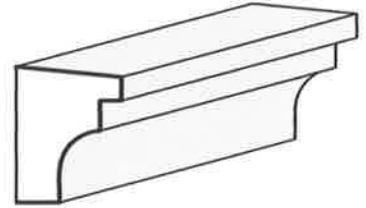
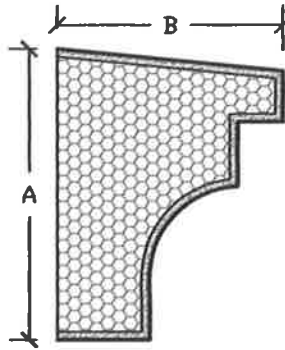
IN STOCK PROGRAM



A  $5\frac{5}{8}"$   
B  $4\frac{1}{4}"$

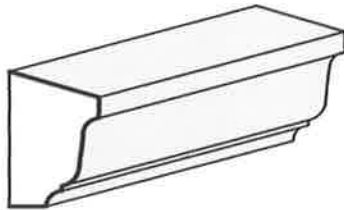
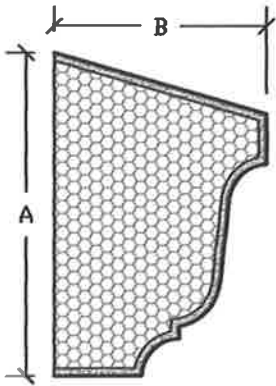
FILE#  
HD501

IN STOCK PROGRAM



A  $6\frac{1}{2}"$   
B  $5"$

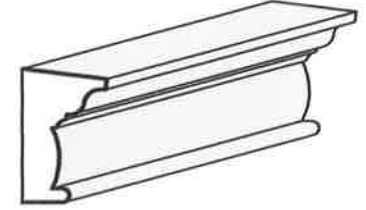
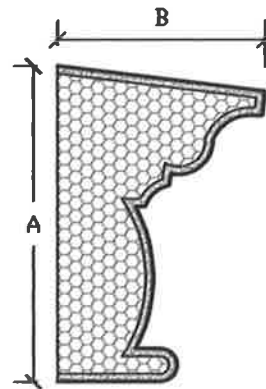
FILE#  
HD601



A  $6\frac{1}{2}"$   
B  $4\frac{1}{4}"$

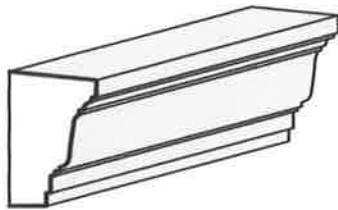
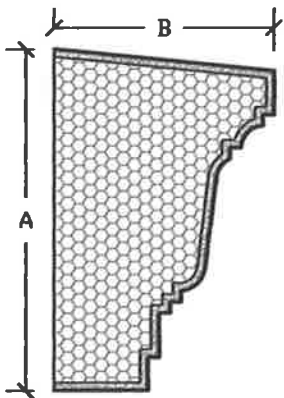
FILE#  
HD602

NEW



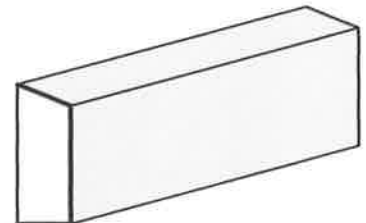
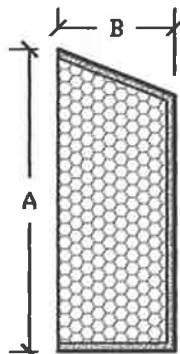
A  $6\frac{1}{16}"$   
B  $4"$

FILE#  
HD652



A  $7\frac{3}{4}"$   
B  $5"$

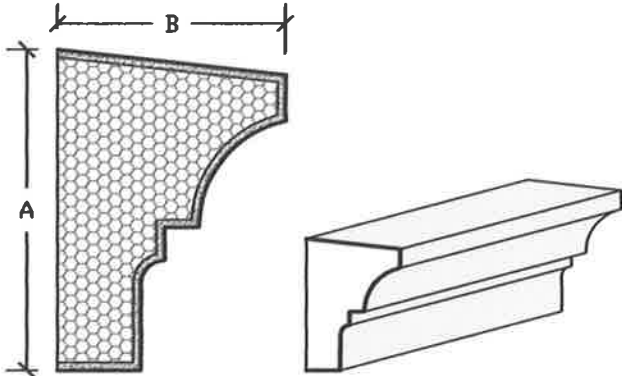
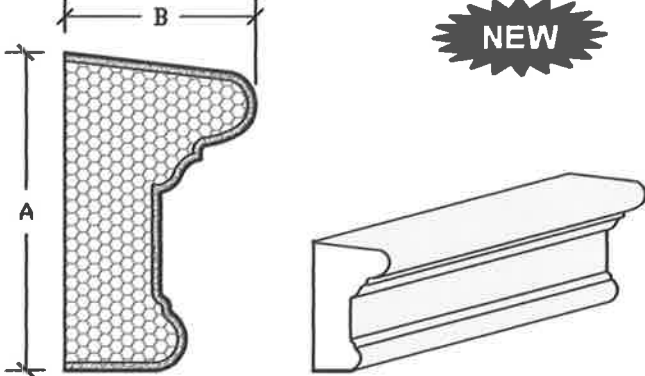
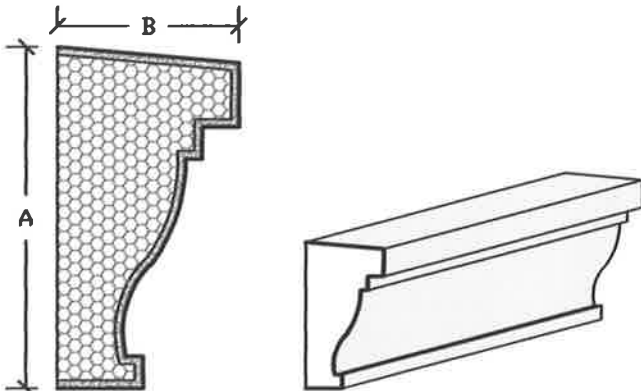
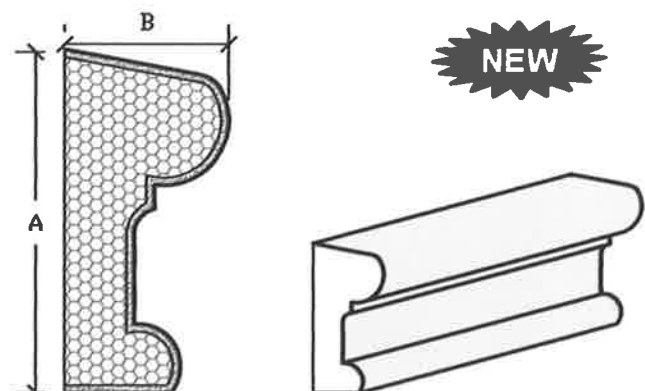
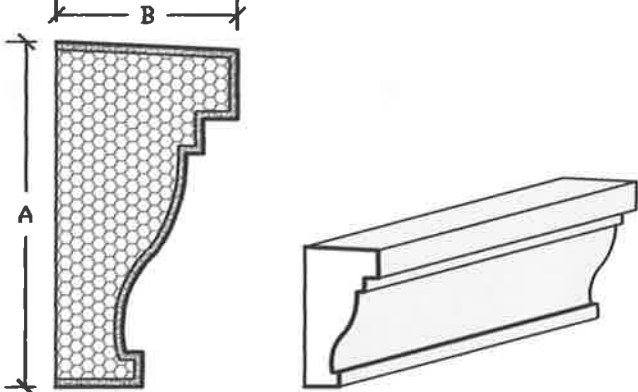
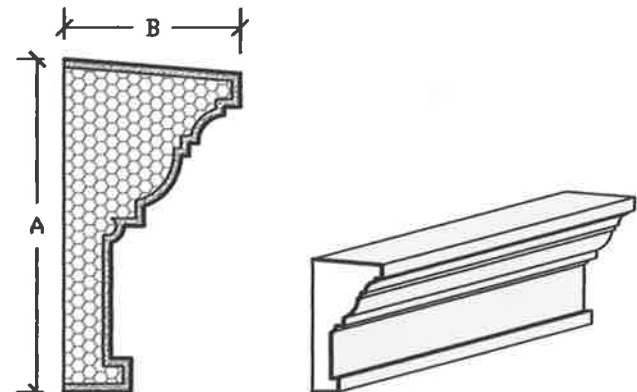
FILE#  
HD701



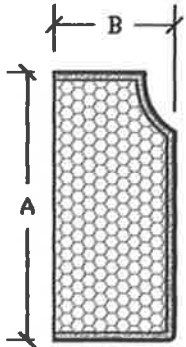
A  $6\frac{1}{2}"$   
B  $2\frac{1}{2}"$

FILE#  
HD751

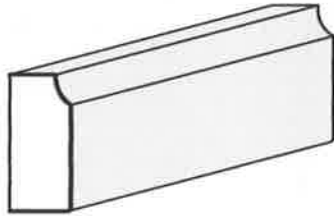
# Headers

 <p><b>A</b> 7<math>\frac{13}{16}</math>"</p> <p><b>B</b> 5<math>\frac{1}{2}</math>"</p> <p><b>FILE#</b> <b>HD801</b></p>	 <p><b>A</b> 7<math>\frac{13}{16}</math>"</p> <p><b>B</b> 5<math>\frac{1}{2}</math>"</p> <p><b>FILE#</b> <b>HD802</b></p> <p><b>NEW</b></p>
 <p><b>A</b> 8"</p> <p><b>B</b> 4<math>\frac{1}{4}</math>"</p> <p><b>FILE#</b> <b>HD851</b></p>	 <p><b>A</b> 8<math>\frac{11}{16}</math>"</p> <p><b>B</b> 4<math>\frac{1}{8}</math>"</p> <p><b>FILE#</b> <b>HD858</b></p> <p><b>NEW</b></p>
 <p><b>A</b> 10"</p> <p><b>B</b> 5<math>\frac{1}{4}</math>"</p> <p><b>FILE#</b> <b>HD1051</b></p>	 <p><b>A</b> 10"</p> <p><b>B</b> 5<math>\frac{1}{4}</math>"</p> <p><b>FILE#</b> <b>HD1053</b></p>

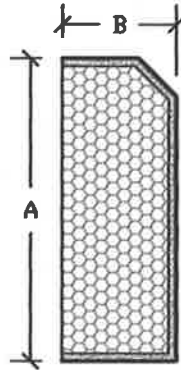
# Baseboards



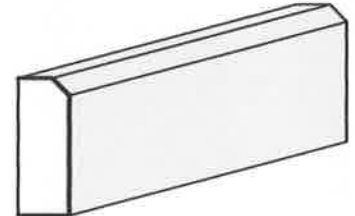
**A**  
4½"  
**B**  
2"



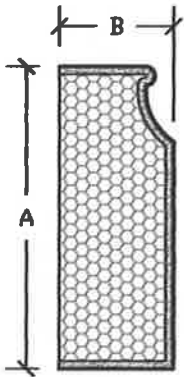
**FILE#**  
**B501**



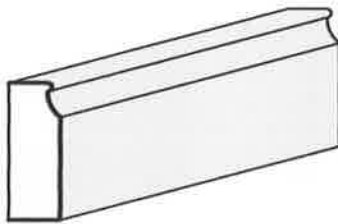
**A**  
6"  
**B**  
2¼"



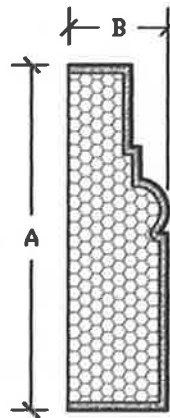
**FILE#**  
**B601**



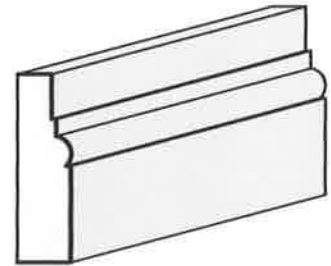
**A**  
8"  
**B**  
3"



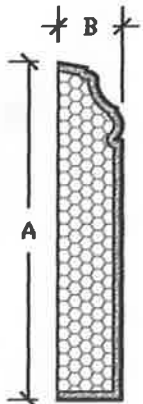
**FILE#**  
**B801**



**A**  
9⅝"  
**B**  
2¾"



**FILE#**  
**B902**



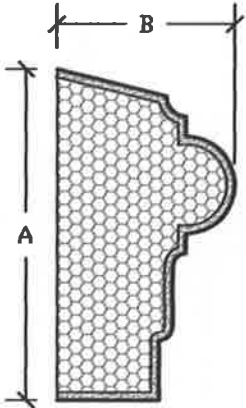
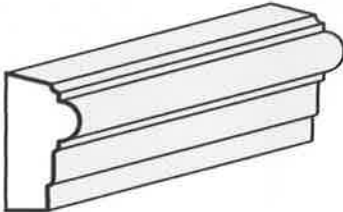
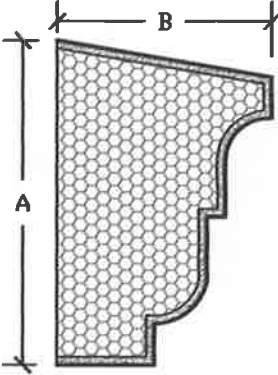
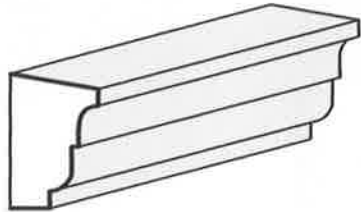
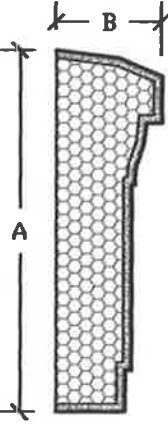
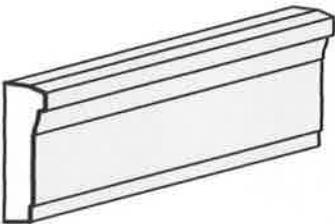
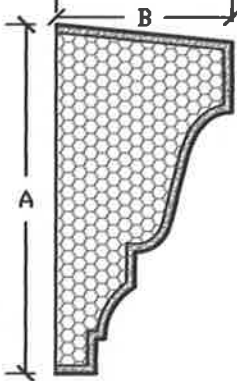
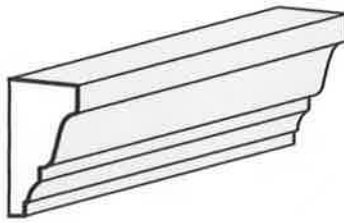
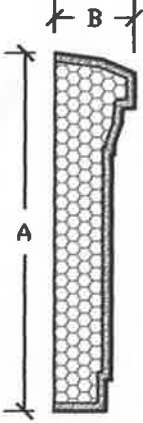
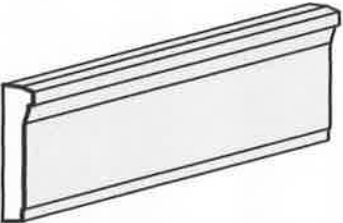
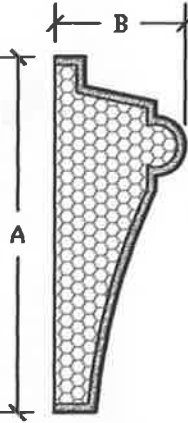

**A**  
12"  
**B**  
2¼"



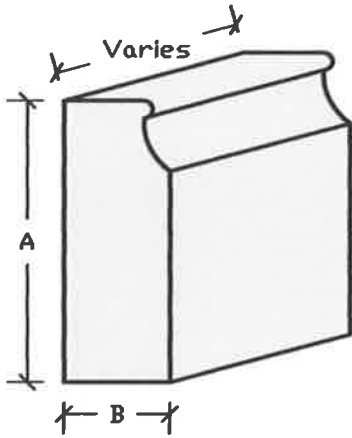
**FILE#**  
**B1201**

**NEW**

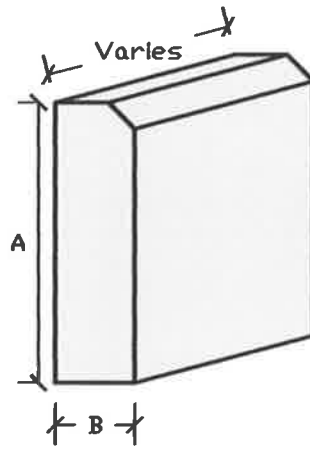
# Mid-Bands

 <p><b>IN STOCK PROGRAM</b></p> <p><b>A</b> <math>6\frac{3}{16}"</math>    <b>B</b> <math>3\frac{1}{4}"</math></p> <p><b>FILE#</b> <b>MB651</b></p> 	 <p><b>A</b> <math>6\frac{3}{4}"</math>    <b>B</b> <math>4\frac{7}{16}"</math></p> <p><b>FILE#</b> <b>MB701</b></p> 
 <p><b>IN STOCK PROGRAM</b></p> <p><b>A</b> <math>8\frac{2}{16}"</math>    <b>B</b> <math>2\frac{1}{2}"</math></p> <p><b>FILE#</b> <b>MB951</b></p> 	 <p><b>A</b> <math>10"</math>    <b>B</b> <math>5"</math></p> <p><b>FILE#</b> <b>MB1001</b></p> 
 <p><b>NEW</b></p> <p><b>A</b> <math>11\frac{1}{4}"</math>    <b>B</b> <math>2\frac{1}{2}"</math></p> <p><b>FILE#</b> <b>MB1201</b></p> 	 <p><b>NEW</b></p> <p><b>A</b> <math>12"</math>    <b>B</b> <math>4\frac{3}{8}"</math></p> <p><b>FILE#</b> <b>MB1275</b></p> 

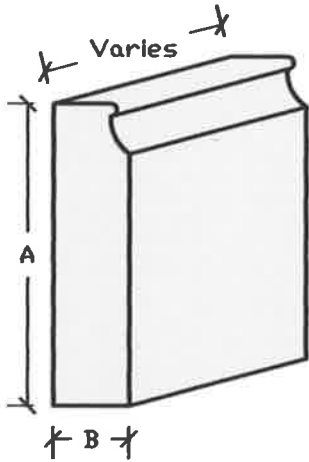
# Plinth Bases



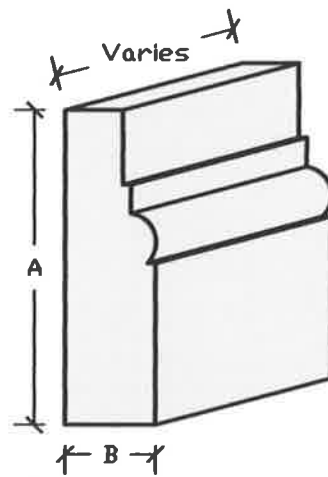
**A**  
8"  
**B**  
3"  
**FILE#**  
**PB801**



**A**  
8"  
**B**  
2¼"  
**FILE#**  
**PB835**

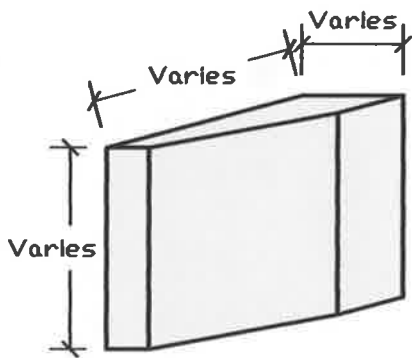


**A**  
12"  
**B**  
3"  
**FILE#**  
**PB1200**



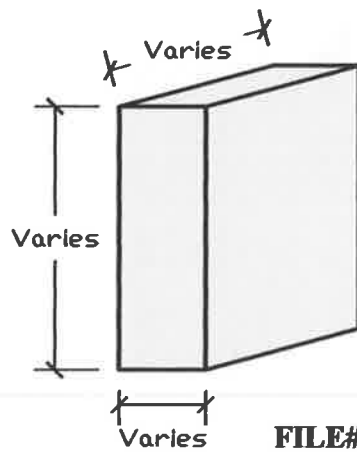
**A**  
9<sup>5</sup>/<sub>8</sub>"  
**B**  
2<sup>3</sup>/<sub>4</sub>"  
**FILE#**  
**PB902**

**\*Sizes based on Trim Profile**



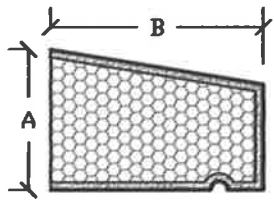
**FILE#**  
**PB100C**

**\*Sizes based on Trim Profile**



**FILE#**  
**PB150C**

# Sills

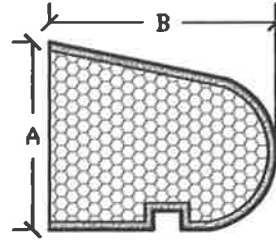


**A**  
2"

**B**  
3"

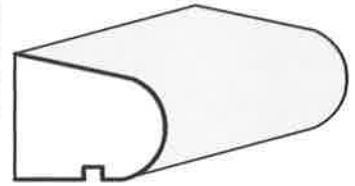


**FILE#**  
**SL201**



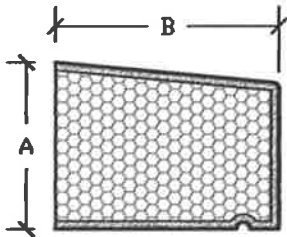
**A**  
2½"

**B**  
3"



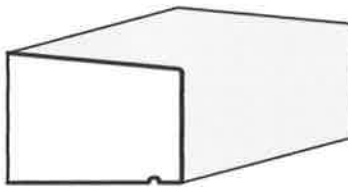
**FILE#**  
**SL302**

**IN STOCK PROGRAM**



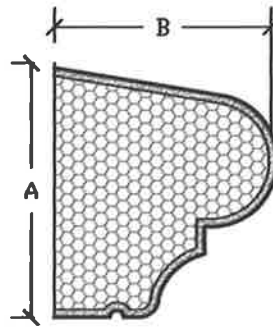
**A**  
3"

**B**  
4"



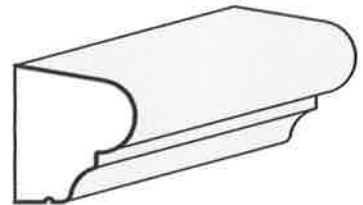
**FILE#**  
**SL353**

**IN STOCK PROGRAM**



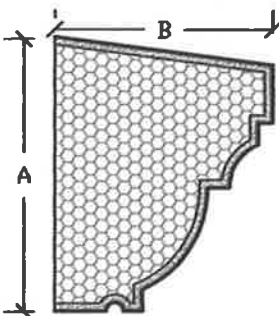
**A**  
4¾"

**B**  
3¾"



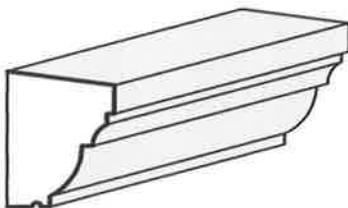
**FILE#**  
**SL451**

**IN STOCK PROGRAM**

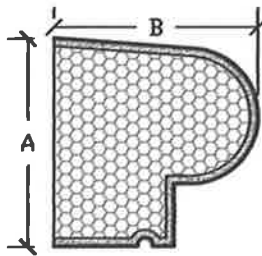


**A**  
4¾"

**B**  
3¾"

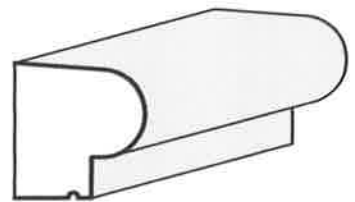


**FILE#**  
**SL501**



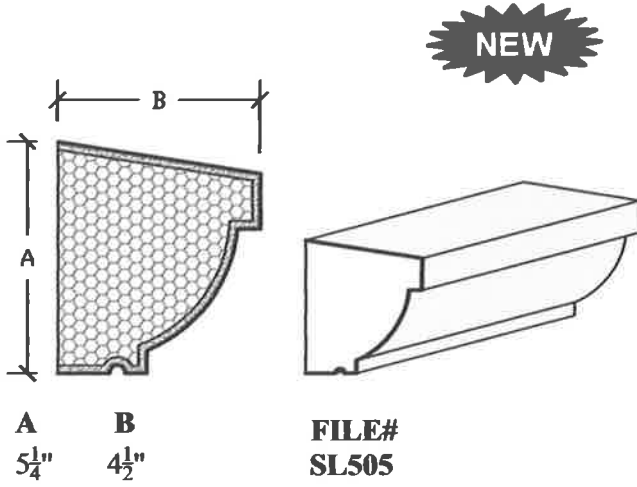
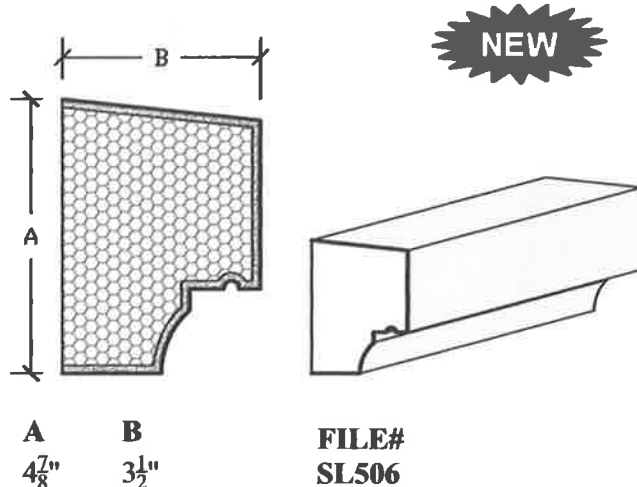
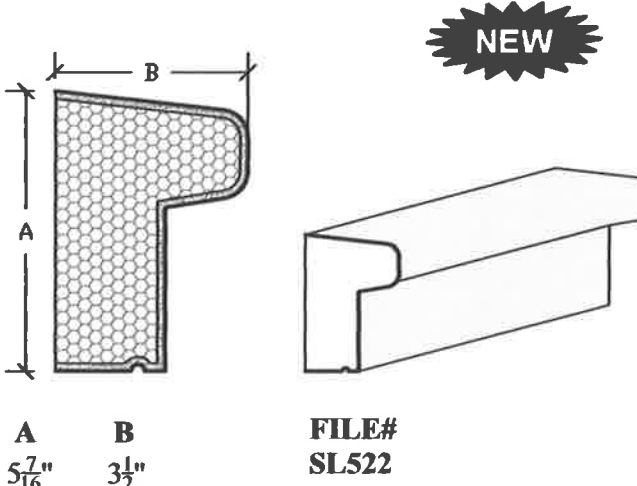
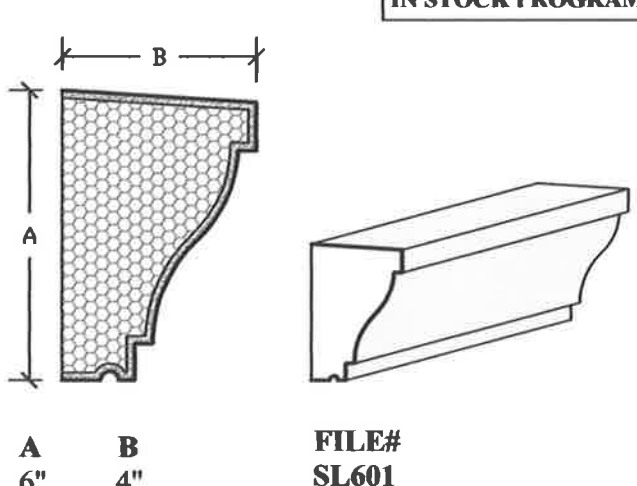
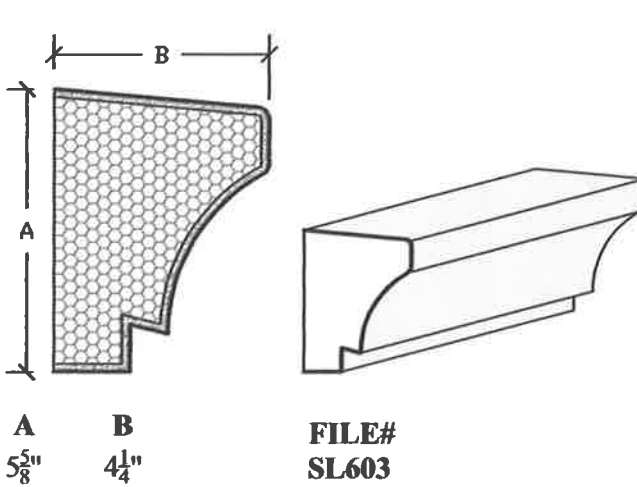
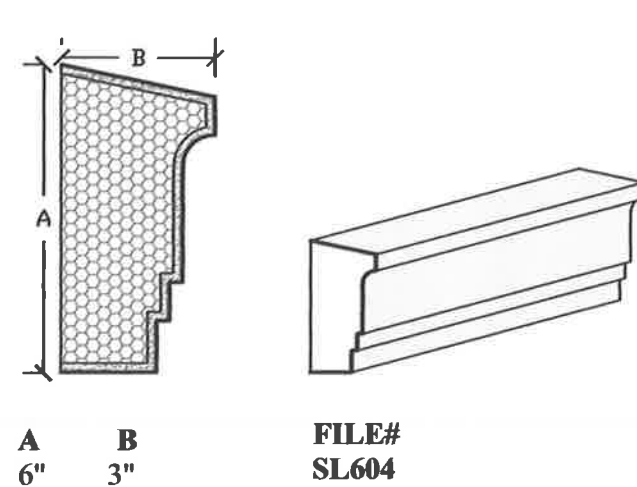
**A**  
5"

**B**  
4¾"

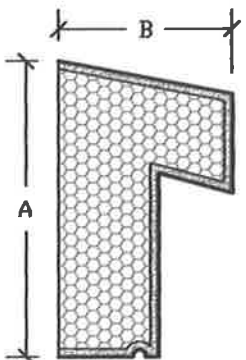
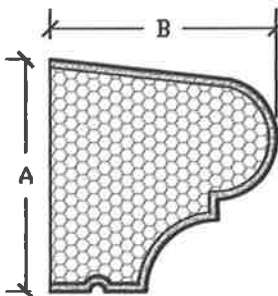
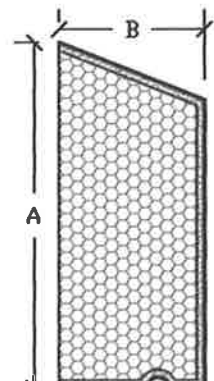
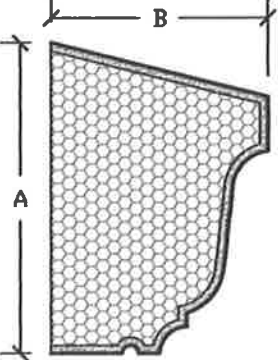
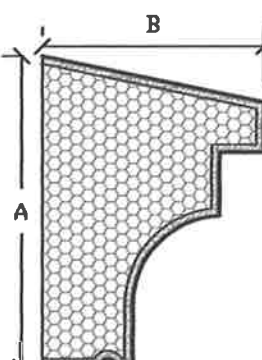


**FILE#**  
**SL503**

# Sills

 <p><b>NEW</b></p> <p><b>A</b> <b>B</b> 5 1/4" 4 1/2"</p> <p><b>FILE#</b> <b>SL505</b></p>	 <p><b>NEW</b></p> <p><b>A</b> <b>B</b> 4 7/8" 3 1/2"</p> <p><b>FILE#</b> <b>SL506</b></p>
 <p><b>NEW</b></p> <p><b>A</b> <b>B</b> 5 7/16" 3 1/2"</p> <p><b>FILE#</b> <b>SL522</b></p>	<p><b>IN STOCK PROGRAM</b></p>  <p><b>A</b> <b>B</b> 6" 4"</p> <p><b>FILE#</b> <b>SL601</b></p>
 <p><b>A</b> <b>B</b> 5 5/8" 4 1/4"</p> <p><b>FILE#</b> <b>SL603</b></p>	 <p><b>A</b> <b>B</b> 6" 3"</p> <p><b>FILE#</b> <b>SL604</b></p>

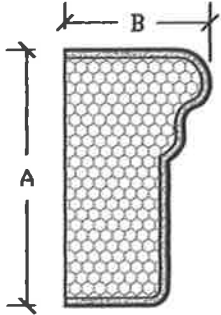
# Sills

 <p><b>NEW</b></p> <p><b>A</b> 6" <b>B</b> 3½"</p> <p><b>FILE#</b> <b>SL605</b></p>	 <p><b>A</b> 5¾" <b>B</b> 5½"</p> <p><b>FILE#</b> <b>SL651</b></p>
 <p><b>A</b> 6" <b>B</b> 2½"</p> <p><b>FILE#</b> <b>SL652</b></p>	 <p><b>A</b> 5¾" <b>B</b> 4"</p> <p><b>FILE#</b> <b>SL653</b></p>
 <p><b>A</b> 7⅛" <b>B</b> 5"</p> <p><b>FILE#</b> <b>SL712</b></p>	



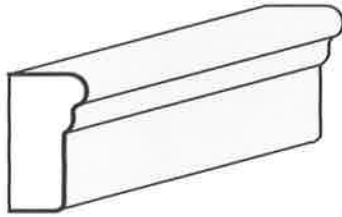
# Trims

**NEW**

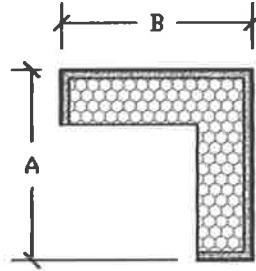


**A**  
3 1/8"

**B**  
1 3/4"

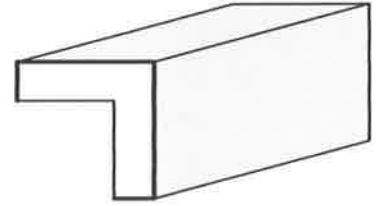


**FILE#**  
**TR301**



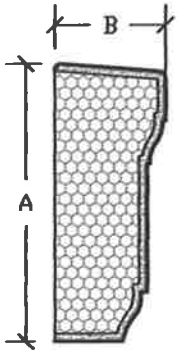
**A**  
3 1/2"

**B**  
3 1/2"



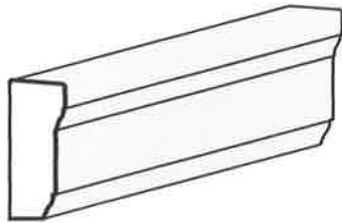
**FILE#**  
**TR333**

**IN STOCK PROGRAM**

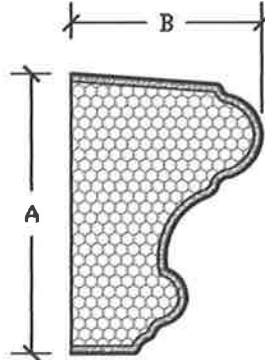


**A**  
3 1/2"

**B**  
1 3/8"

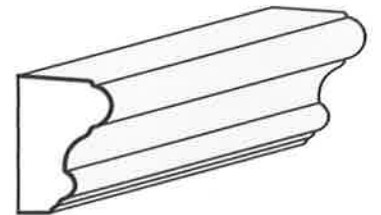


**FILE#**  
**TR352**



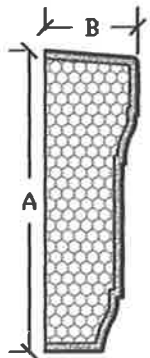
**A**  
4 3/8"

**B**  
3"



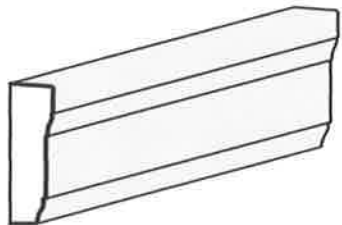
**FILE#**  
**TR402**

**NEW**

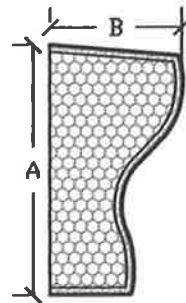


**A**  
4 1/2"

**B**  
1 3/8"

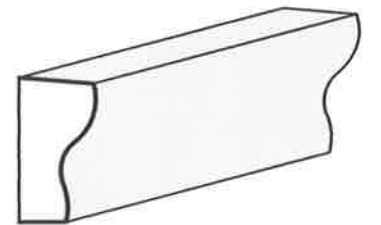


**FILE#**  
**TR452**



**A**  
4 7/16"

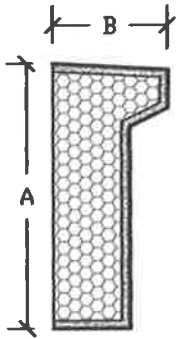
**B**  
2 3/8"



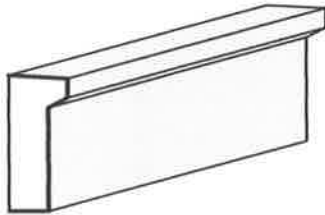
**FILE#**  
**TR453**

# Trims

IN STOCK PROGRAM

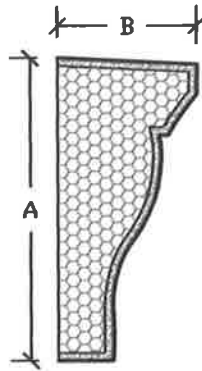


A  $5\frac{1}{4}"$   
B  $2\frac{1}{4}"$

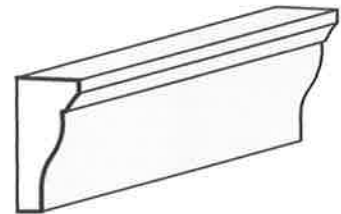


FILE#  
TR501

IN STOCK PROGRAM

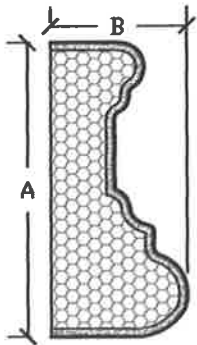


A  $5\frac{7}{16}"$   
B  $2\frac{1}{2}"$

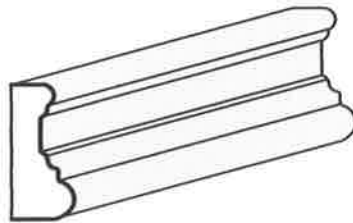


FILE#  
TR502

IN STOCK PROGRAM

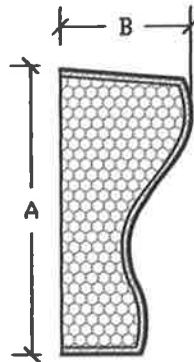


A 5"  
B  $2\frac{5}{16}"$

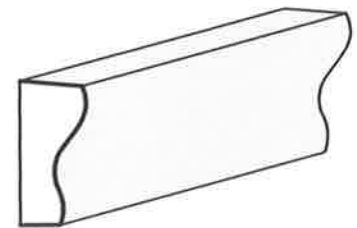


FILE#  
TR505

NEW

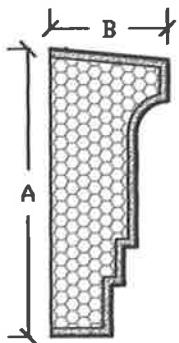


A  $5\frac{3}{16}"$   
B  $2\frac{3}{8}"$

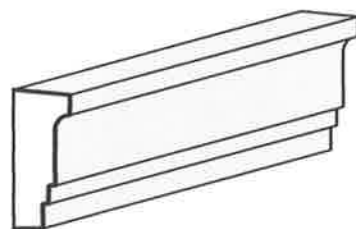


FILE#  
TR552

IN STOCK PROGRAM

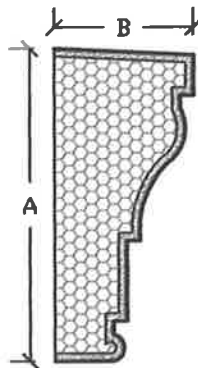


A  $4\frac{3}{4}"$   
B  $1\frac{15}{16}"$

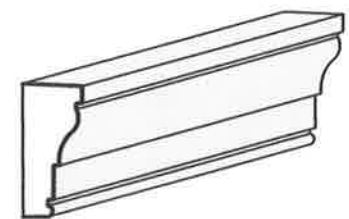


FILE#  
TR553

IN STOCK PROGRAM

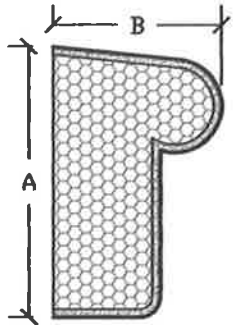


A  $5\frac{5}{8}"$   
B  $2\frac{1}{2}"$



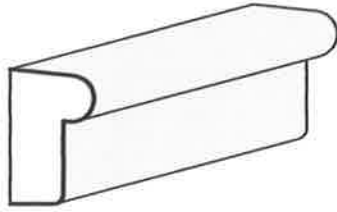
FILE#  
TR601

# Trims

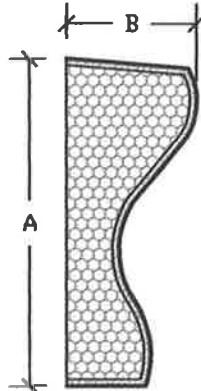


**A**  
5 $\frac{1}{4}$ "

**B**  
3 $\frac{1}{4}$ "

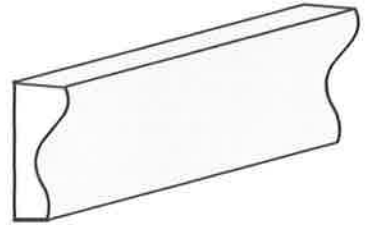


**FILE#**  
**TR602**



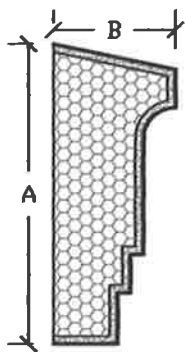
**A**  
6"

**B**  
2 $\frac{3}{8}$ "



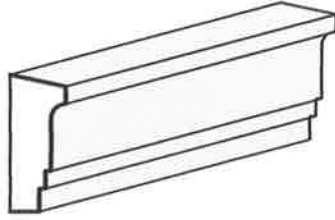
**FILE#**  
**TR652**

**NEW**

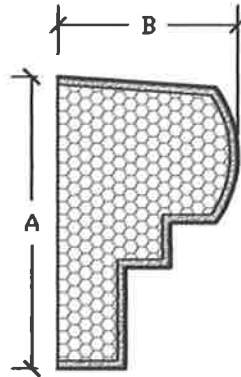


**A**  
5 $\frac{7}{8}$ "

**B**  
2 $\frac{3}{8}$ "

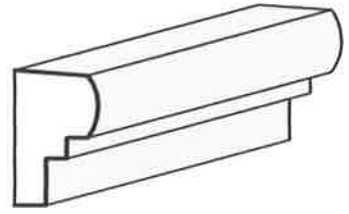


**FILE#**  
**TR653**

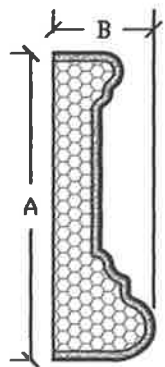


**A**  
6 $\frac{1}{2}$ "

**B**  
4"

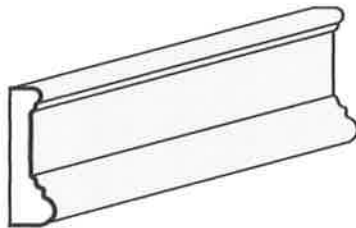


**FILE#**  
**TR654**

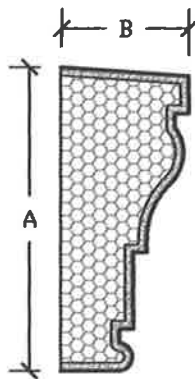


**A**  
7"

**B**  
2 $\frac{5}{16}$ "

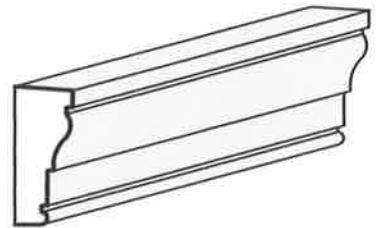


**FILE#**  
**TR705**



**A**  
8 $\frac{5}{8}$ "

**B**  
3 $\frac{5}{8}$ "

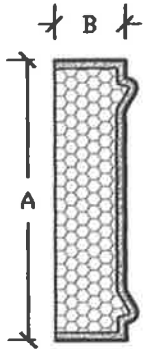


**FILE#**  
**TR858**

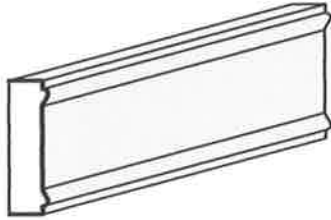
**NEW**

# Trims

IN STOCK PROGRAM

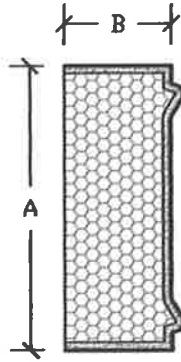


A 4"  
B 1"

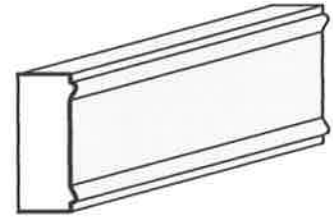


FILE#  
TR1x4R

IN STOCK PROGRAM

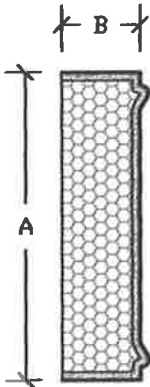


A 4"  
B 1½"

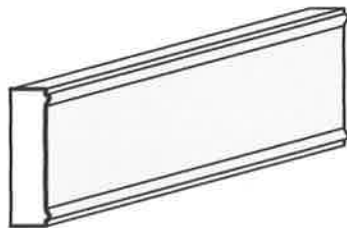


FILE#  
TR15x4R

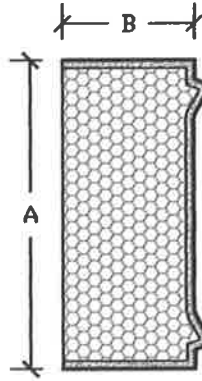
IN STOCK PROGRAM



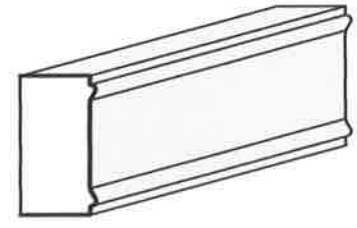
A 6"  
B 1½"



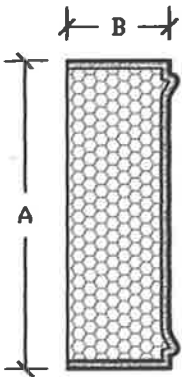
FILE#  
TR15x6R



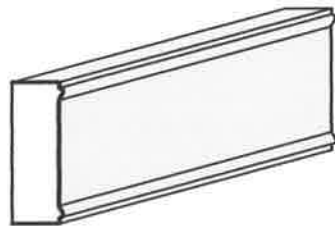
A 4"  
B 2"



FILE#  
TR2x4R

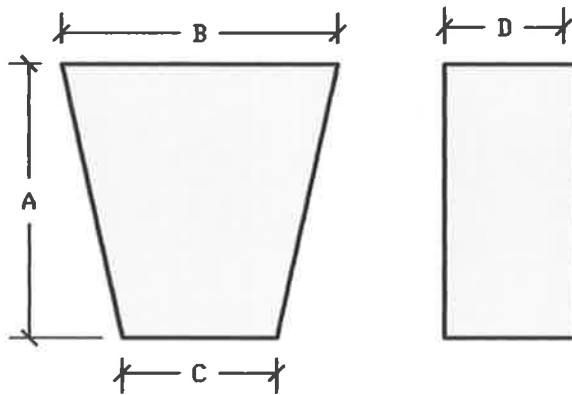


A 6"  
B 2"



FILE#  
TR2x6R

# Keystones



## Standard Dimensions\*

### KS500

A 5"  
B 5"  
C 3"  
D 2"

### KS625

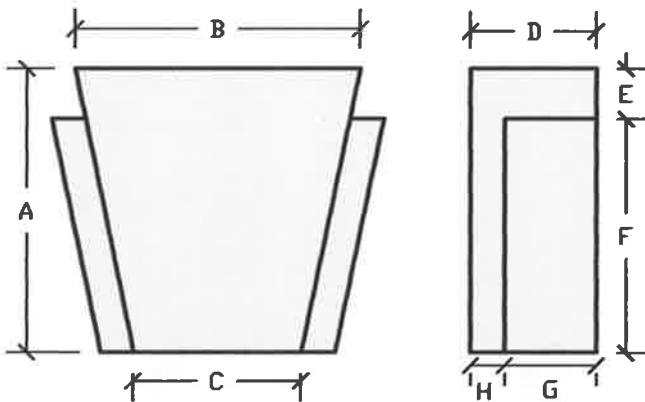
A 6 $\frac{1}{4}$ "  
B 6 $\frac{1}{4}$ "  
C 3 $\frac{1}{2}$ "  
D 3 $\frac{1}{4}$ "

### KS737

A 7 $\frac{3}{8}$ "  
B 7 $\frac{1}{4}$ "  
C 3 $\frac{1}{2}$ "  
D 3 $\frac{1}{4}$ "

### KS850

A 8 $\frac{1}{2}$ "  
B 8 $\frac{1}{2}$ "  
C 5"  
D 3 $\frac{3}{4}$ "



## Standard Dimensions\*

### KS850/2

A 8 $\frac{1}{2}$ "      E 1 $\frac{1}{2}$ "  
B 8 $\frac{1}{2}$ "      F 7"  
C 5"        G 3 $\frac{1}{4}$ "  
D 4"        H 3 $\frac{3}{4}$ "

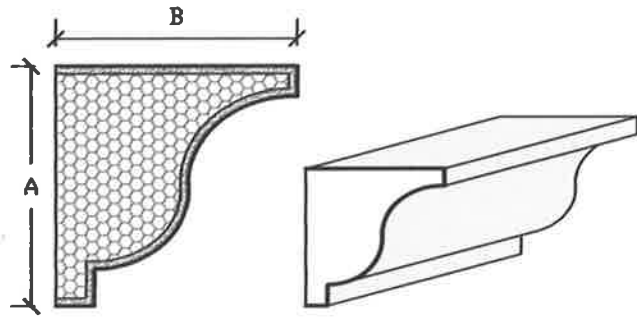
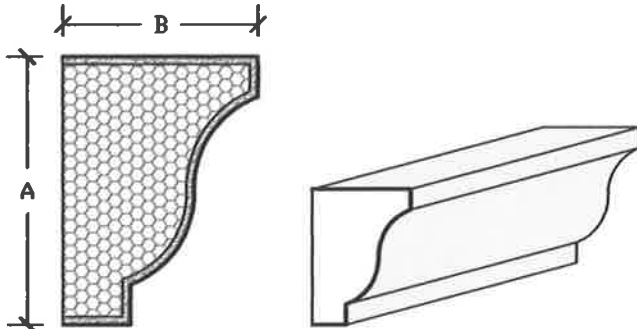
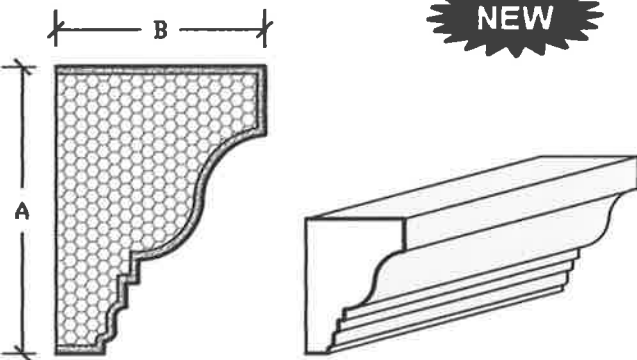
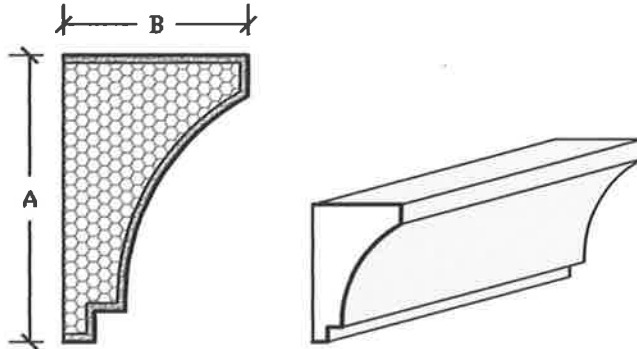
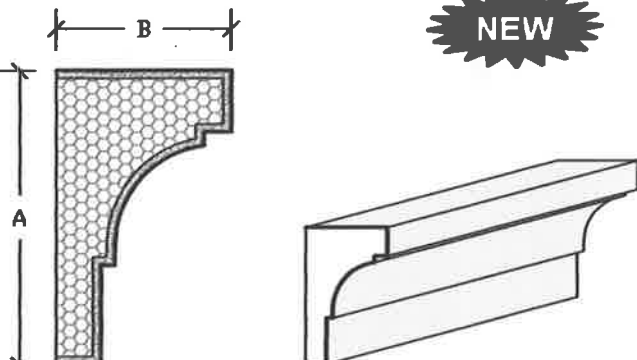
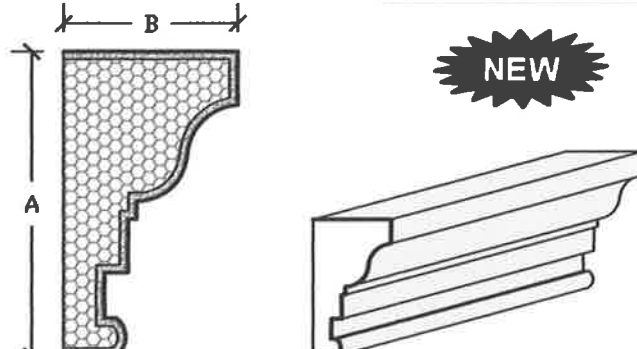
### KS3D

Sized to Correspond with Header Profile

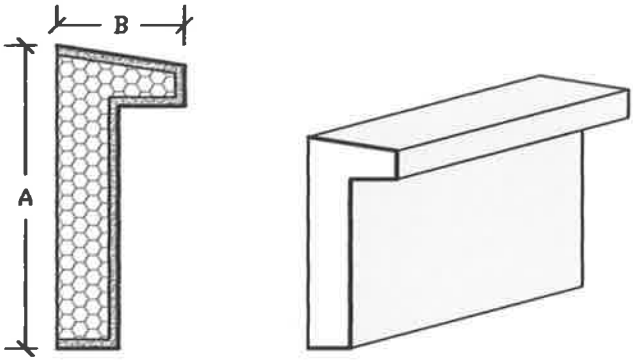
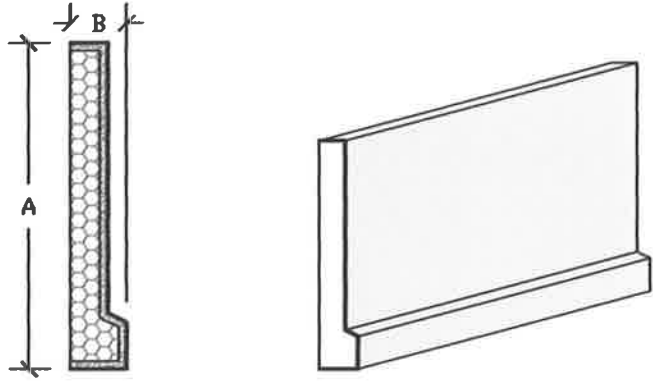
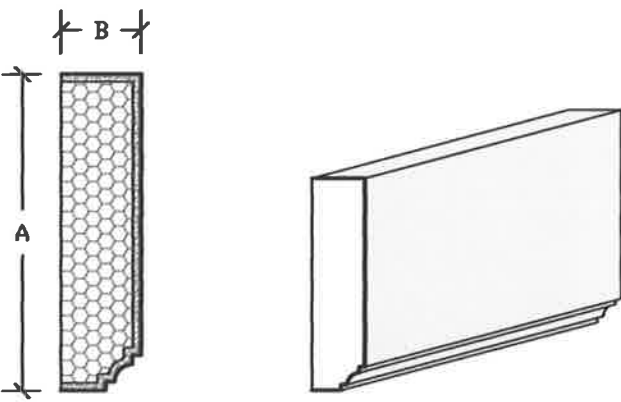
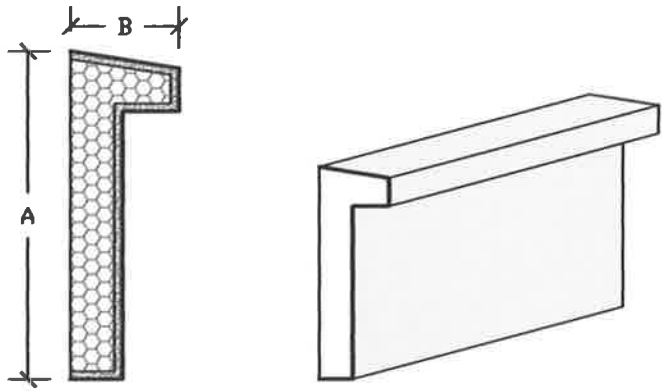
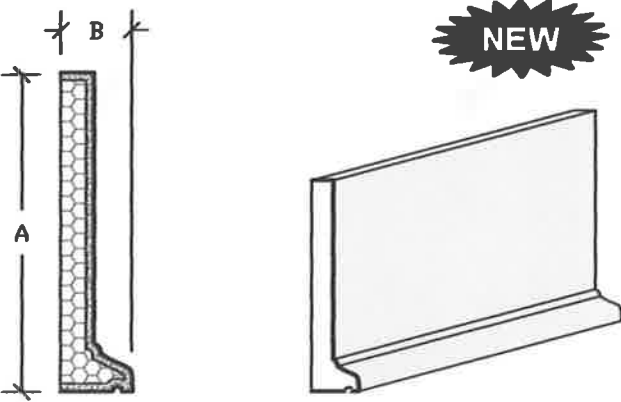
Note:

\* Custom Shapes and Sizes Available (Code KSC)

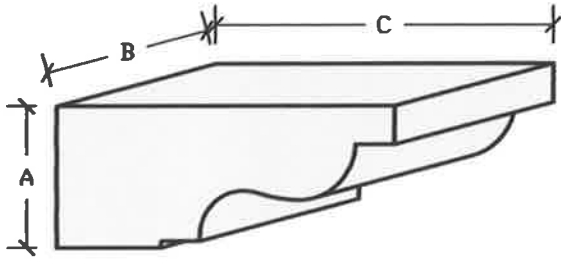
# Crown Cornices

 <p><b>A</b> 3<math>\frac{3}{8}</math>"</p> <p><b>B</b> 3<math>\frac{3}{8}</math>"</p> <p><b>FILE#</b> <b>CR301</b></p>	 <p><b>A</b> 5"</p> <p><b>B</b> 3<math>\frac{5}{8}</math>"</p> <p><b>FILE#</b> <b>CR501</b></p>
 <p><b>A</b> 6<math>\frac{1}{4}</math>"</p> <p><b>B</b> 4<math>\frac{1}{2}</math>"</p> <p><b>FILE#</b> <b>CR625</b></p> <p><b>NEW</b></p>	 <p><b>A</b> 7"</p> <p><b>B</b> 4<math>\frac{1}{2}</math>"</p> <p><b>FILE#</b> <b>CR701A</b></p> <p><b>IN STOCK PROGRAM</b></p>
 <p><b>A</b> 10<math>\frac{3}{4}</math>"</p> <p><b>B</b> 6<math>\frac{3}{8}</math>"</p> <p><b>FILE#</b> <b>CR1075</b></p> <p><b>NEW</b></p>	 <p><b>A</b> 12<math>\frac{3}{4}</math>"</p> <p><b>B</b> 7<math>\frac{1}{4}</math>"</p> <p><b>FILE#</b> <b>CR1275</b></p> <p><b>NEW</b></p> <p><b>IN STOCK PROGRAM</b></p>

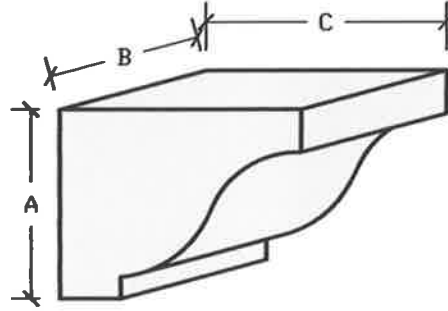
# Dentil Fascias

 <p><b>A</b> 7½"</p> <p><b>B</b> 3⅛"</p> <p><b>FILE#</b> <b>DF-750</b></p>	 <p><b>A</b> 8¾"</p> <p><b>B</b> 1½"</p> <p><b>FILE#</b> <b>DF-875</b></p>
 <p><b>A</b> 9"</p> <p><b>B</b> 2¼"</p> <p><b>FILE#</b> <b>DF-900</b></p>	 <p><b>A</b> 9½"</p> <p><b>B</b> 3⅛"</p> <p><b>FILE#</b> <b>DF-925</b></p>
 <p><b>A</b> 12"</p> <p><b>B</b> 2⅙"</p> <p><b>FILE#</b> <b>DF-1201</b></p>	<p><b>NEW</b></p>

# Dentil Blocks



<b>A</b>	<b>B</b>	<b>C</b>	<b>FILE#</b>
5½"	6"	13"	DT 12-A

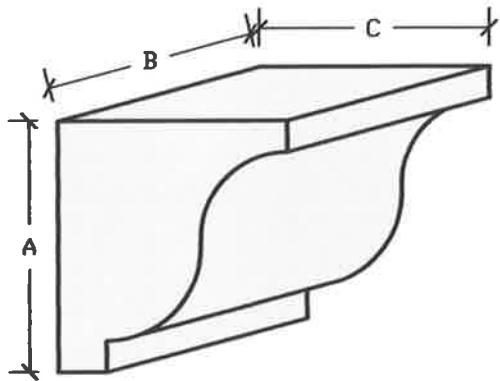


<b>A</b>	<b>B</b>	<b>C</b>	<b>FILE#</b>
5½"	5"	7"	DT 13-A

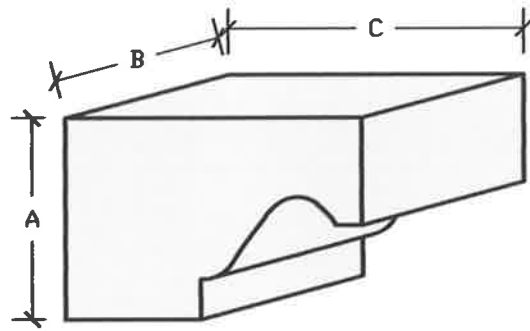
**Note:**  
\* Custom Shapes and Sizes Available



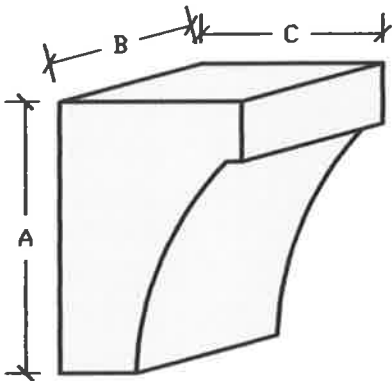
# Dentil Blocks



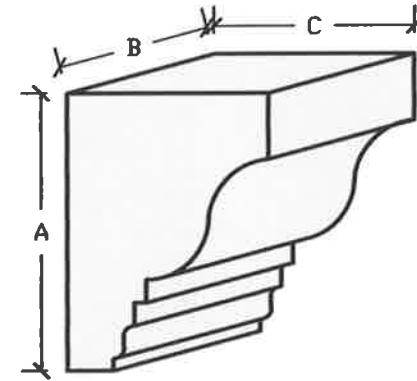
**A**   **B**   **C**   **FILE#**  
 8"   6"   7 $\frac{1}{4}$ "   **DT 6-A**



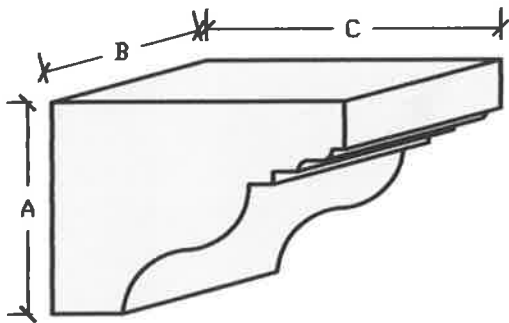
**A**   **B**   **C**   **FILE#**  
 3 $\frac{3}{4}$ "   4"   5 $\frac{1}{2}$ "   **DT 7-A**



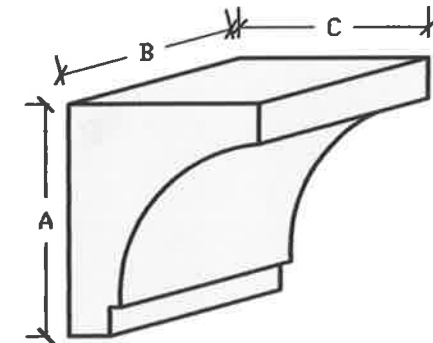
**A**   **B**   **C**   **FILE#**  
 4 $\frac{1}{2}$ "   3"   3"   **DT 8-A**



**A**   **B**   **C**   **FILE#**  
 6 $\frac{1}{4}$ "   4"   4 $\frac{1}{2}$ "   **DT 10-A**



**A**   **B**   **C**   **FILE#**  
 4 $\frac{1}{2}$ "   4"   6 $\frac{1}{4}$ "   **DT 10-B**

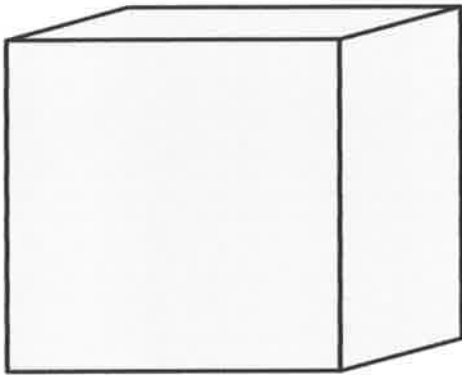


**A**   **B**   **C**   **FILE#**  
 12 $\frac{3}{8}$ "   7"   10 $\frac{1}{8}$ "   **DT 11-A**

**Note:**

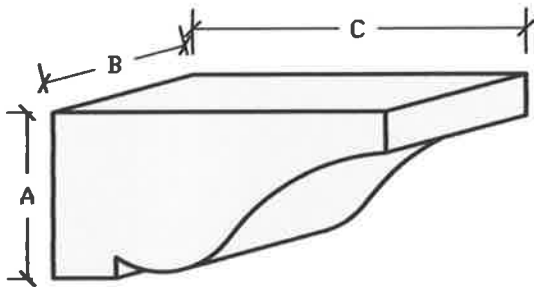
\* Custom Shapes and Sizes Available

# Dentil Blocks

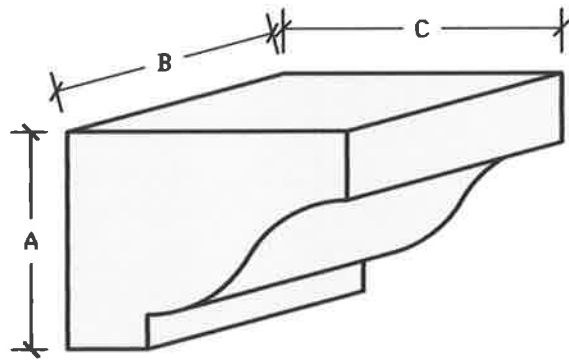


**FILE#**  
**DTFS**

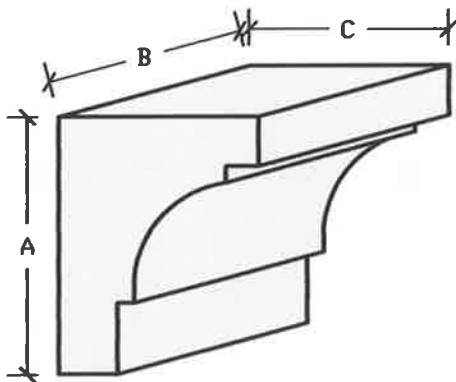
Various Sizes	
Thickness	WxH
1"	3"x3"
	4"x4"
1½"	5"x5"
	4"x6"
2"	3"x5"
	6"x6"
From Flat Stock	



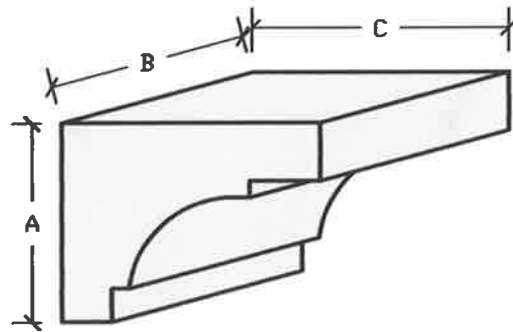
**A**   **B**   **C**   **FILE#**  
4"   4"   8"   **DT 2-B**



**A**   **B**   **C**   **FILE#**  
9½"   8"   12¾"   **DT 4-B**



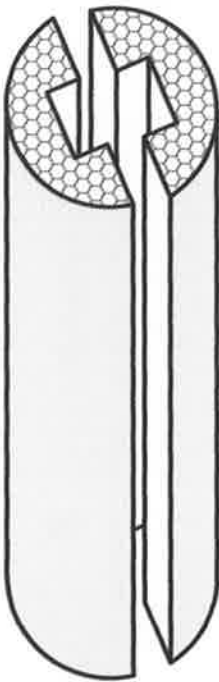
**A**   **B**   **C**   **FILE#**  
7¾"   5½"   6"   **DT 5-A**



**A**   **B**   **C**   **FILE#**  
6"   5½"   7¾"   **DT 5-B**

**Note:**  
\* Custom Shapes and Sizes Available

# Round Columns

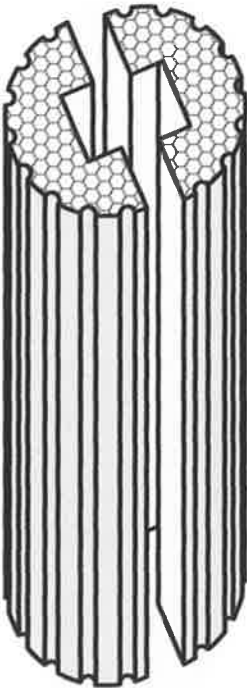


Full



Half

Smooth	
File #	Diameter
RCS08	8"
RCS10	10"
RCS11	11"
RCS12	12"
RCS13	13"
RCS14	14"
RCS15	15"
RCS16	16"
RCS18	18"
RCS20	20"
RCS24	24"



Full



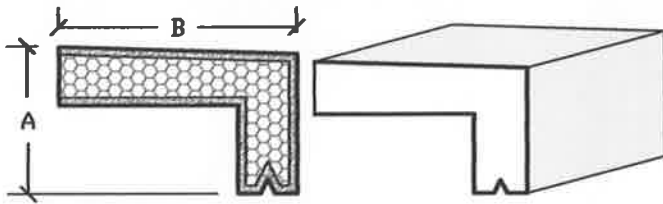
Half

Fluted	
File #	Diameter
RCF08	8"
RCF10	10"
RCF12	12"
RCF13	13"
RCF14	14"
RCF16	16"
RCF18	18"
RCF20	20"
RCF24	24"

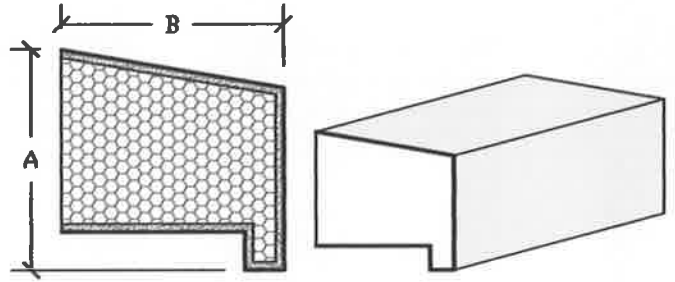
**Notes:**

- \* Always specify size of post
- \* Columns are manufactured to order

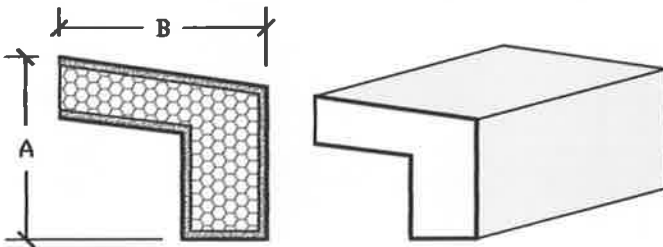
# Stone Caps



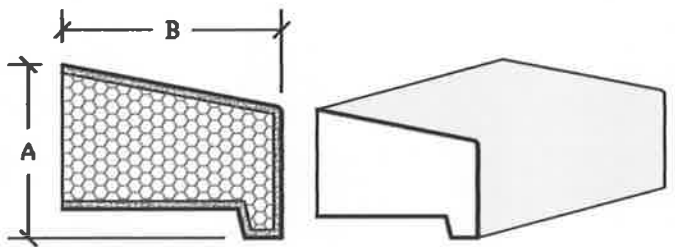
**A** **B**  
 $2\frac{1}{2}$ " 4"  
**FILE#**  
**STC251**



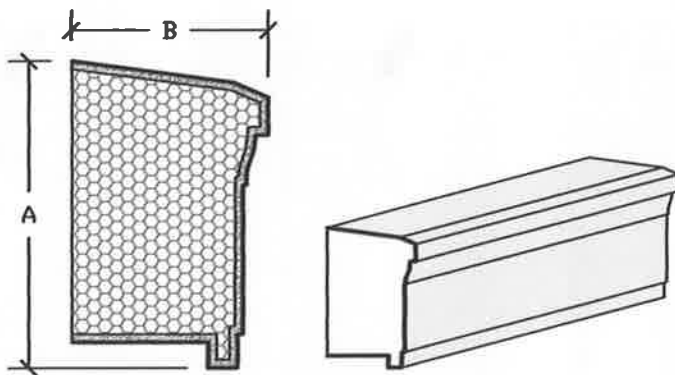
**A** **B**  
 $2\frac{7}{8}$ "  $2\frac{7}{8}$ "  
**FILE#**  
**STC301**



**A** **B**  
 5"  $6\frac{3}{4}$ "  
**FILE#**  
**STC501**



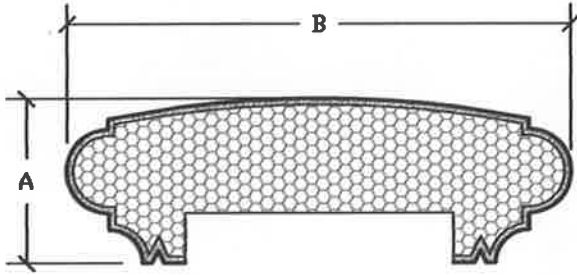
**A** **B**  
 6"  $7\frac{1}{2}$ "  
**FILE#**  
**STC601**



**A** **B**  
 9"  $5\frac{11}{16}$ "  
**FILE#**  
**STC901**

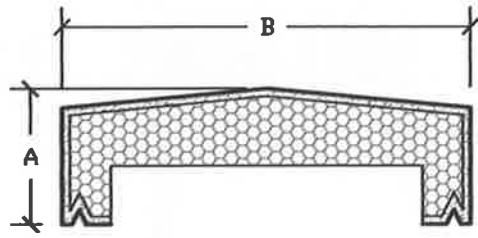
# Wall Caps

For Walls 7" to 8"



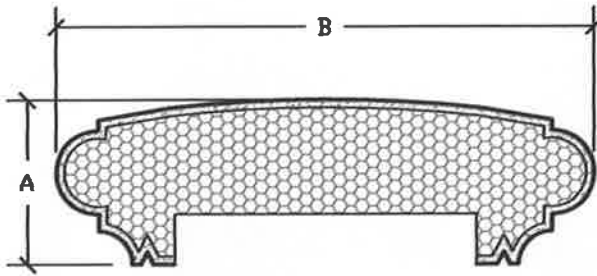
**A**      **B**      **FILE#**  
 $4\frac{15}{16}$ "    15"      **WCPR78**

For Walls 7" to 8"



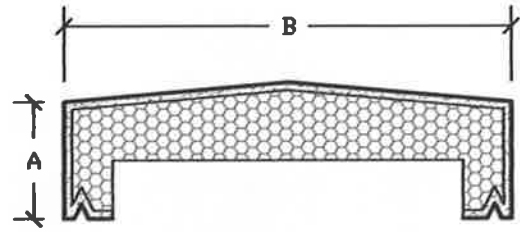
**A**      **B**      **FILE#**  
 $3\frac{1}{2}$ "       $10\frac{1}{2}$ "      **WCPQ78**

For Walls 8" to 9"



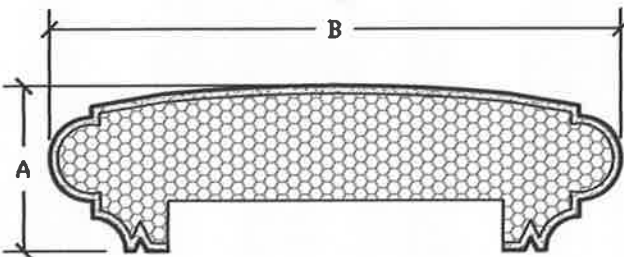
**A**      **B**      **FILE#**  
 $4\frac{15}{16}$ "    16"      **WCPR89**

For Walls 8" to 9"



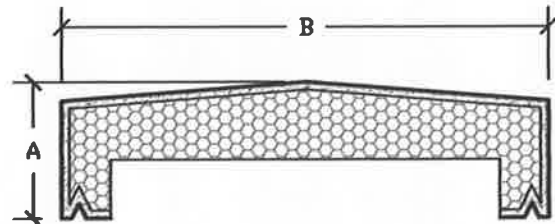
**A**      **B**      **FILE#**  
 $3\frac{1}{2}$ "       $11\frac{1}{2}$ "      **WCPQ89**

For Walls 9" to 10"



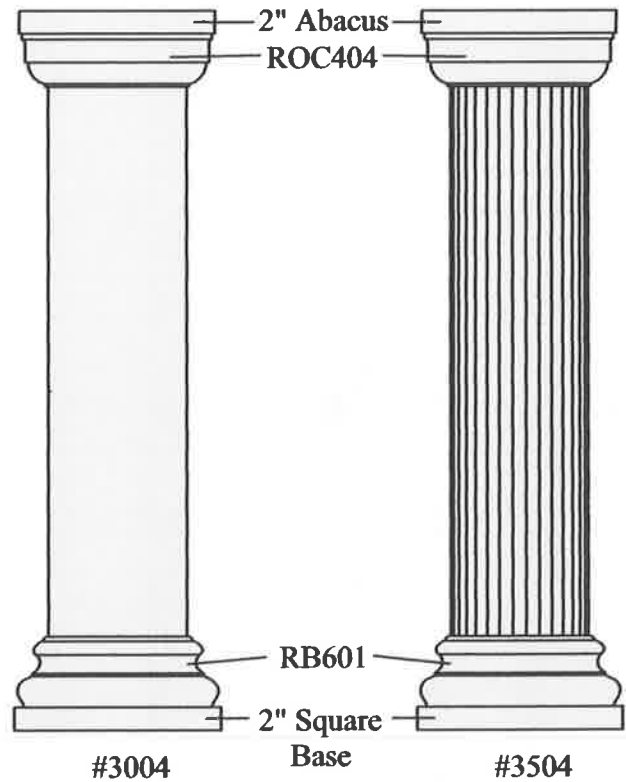
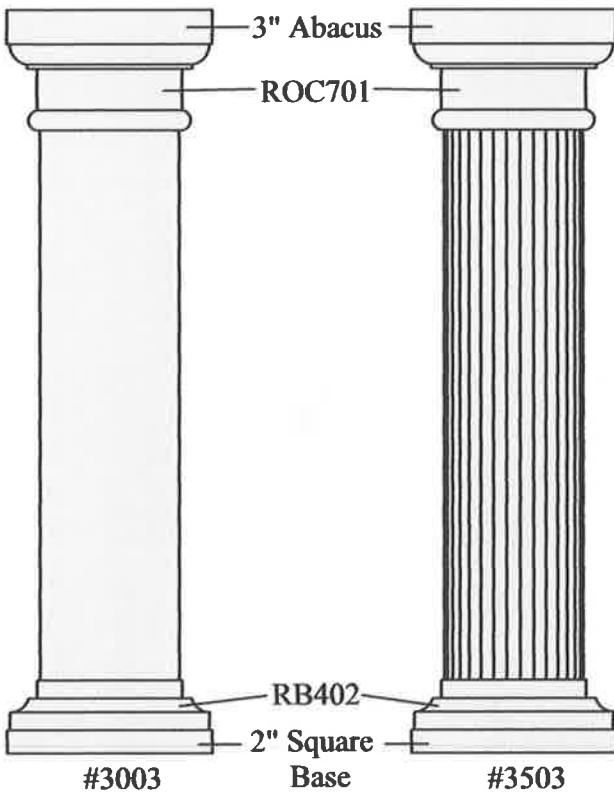
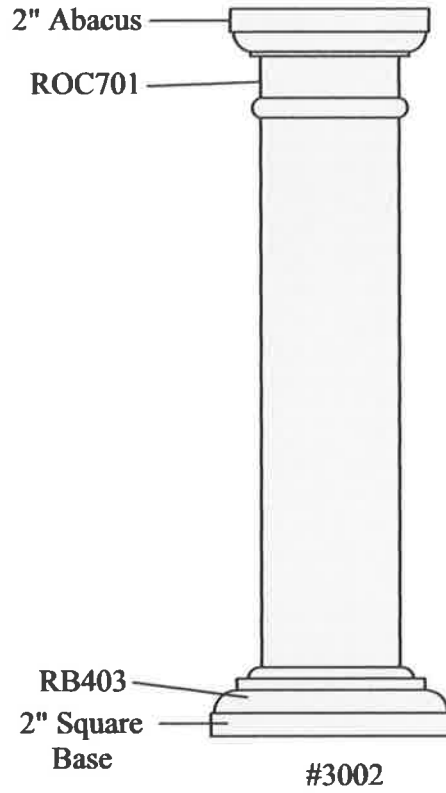
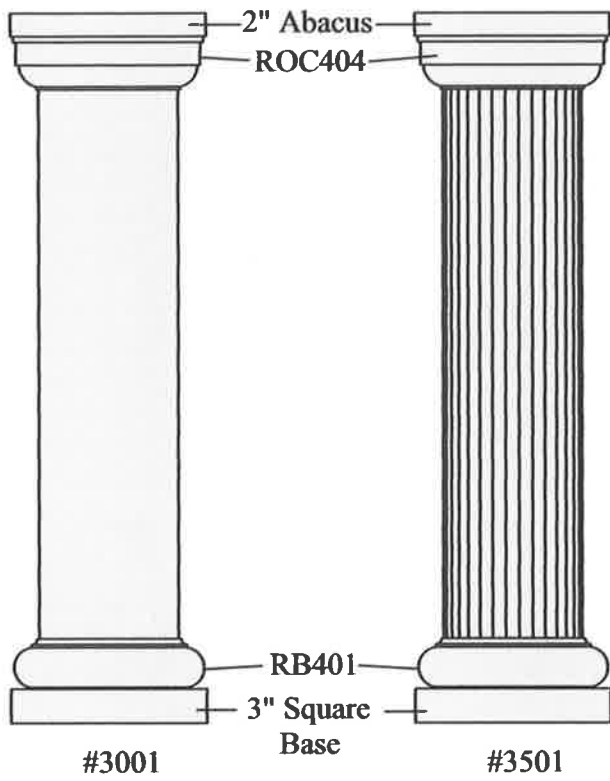
**A**      **B**      **FILE#**  
 $4\frac{15}{16}$ "    17"      **WCPR910**

For Walls 9" to 10"



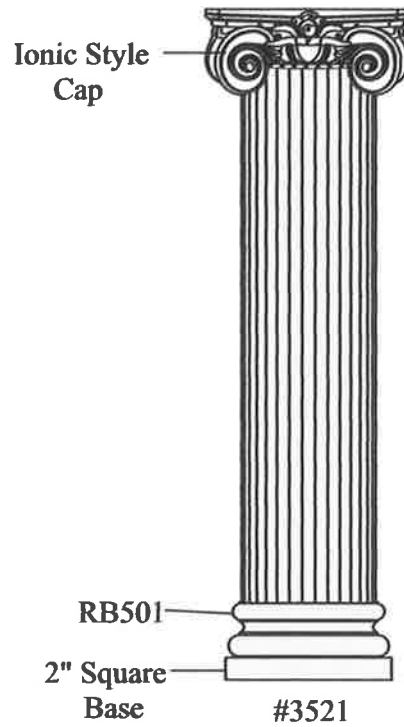
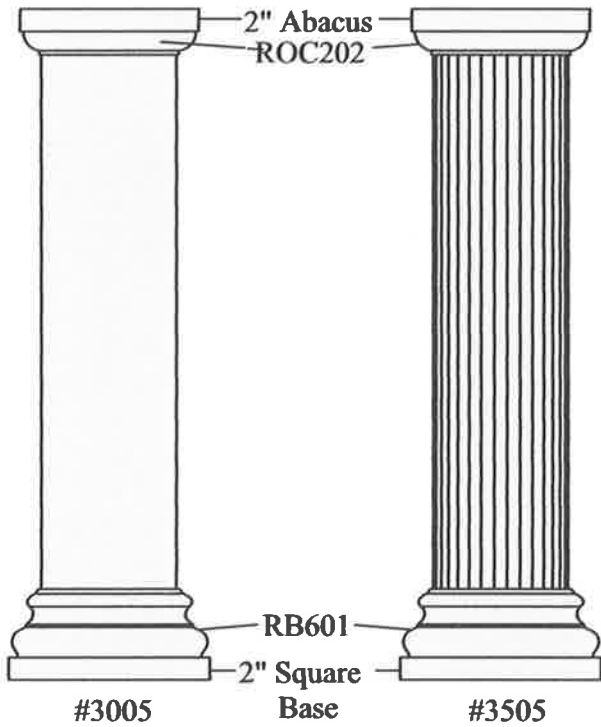
**A**      **B**      **FILE#**  
 $3\frac{1}{2}$ "       $12\frac{1}{2}$ "      **WCPQ910**

# Round Column Combinations

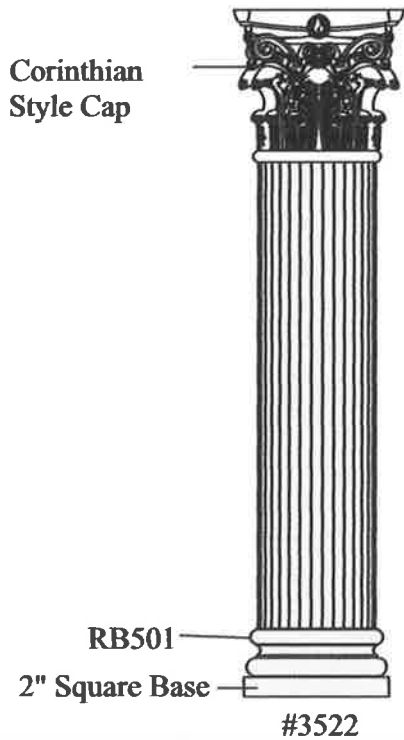


Note:  
\* Columns are not to scale

# Round Column Combinations



Note: Available in 10" 12" 13" 14" 16"



Note: Available in 12" 13" 14"

Note:  
\* Columns are not to scale